

# JVC

# SERVICE MANUAL

## COLOUR TELEVISION

BASIC CHASSIS

JK

**AV-28WFR1EKS/A**  
**AV-28WFR1EK/A**  
**AV-32WFR1EKS/A**

Supplement

The following items for A models were changed from those of the previous models. Therefore, this service manual consists of the PARTS LIST only. For others, please use the service manual for previous models service manual (No.51695, Mar 2000).

### ■ MODEL DIFFERENCE

A Models	Previous Models
AV-28WFR1EKS/A AV-28WFR1EK/A AV-32WFR1EKS/A	AV-28WFR1EKS AV-28WFR1EK AV-32WFR1EKS

### ■ HOW TO IDENTIFY MODEL

A suffix "A" is added to the serial No. after at the Rating label & Euro label, respectively.

### ■ OUTLINE

In line with the change of the production country, the CRT has been changed. As a result, some parts have been changed.

## ■ MAIN CHANGED ITEMS

### ● USING PW BOARD DIFFERENCE TABLE (28" Models)

Model	AV-28WFR1EKS AV-28WFR1EK	AV-28WFR1EKS/A AV-28WFR1EK/A
PWB A'SSY		
MAIN PWB	SJK-1904A-U2	SJK-1906A-U2
POWER & DEF PWB	SJK-2504A-U2	SJK-2508A-H3
DOLBY PWB	SJK0D501A-U2	SJK0D501A- H3
CRT SOCKET PWB	SJK-3502A-U2	SJK-3503A- H3
FRONT CONT. PWB	SJK-8504A-U2	SJK-8506A- H3
AV SEL. PWB	SJK0S902A-U2	SJK0S905A- H3

### ● USING PW BOARD DIFFERENCE TABLE (32" Models)

Model	AV-32WFR1EKS	AV-32WFR1EKS/A
PWB A'SSY		
MAIN PWB	SJK-1903A-U2	SJK-1908A-U2
POWER & DEF PWB	SJK-2503A-U2	SJK-2507A-H3
DOLBY PWB	SJK0D501A-U2	SJK0D501A- H3
CRT SOCKET PWB	SJK-3501A-U2	SJK-3504A- H3
FRONT CONT. PWB	SJK-8503A-U2	SJK-8508A- H3
AV SEL. PWB	SJK0S902A-U2	SJK0S907A- H3

### ● MAIN PARTS DIFFERENCE TABLE (28" Models)

Model	AV-28WFR1EKS AV-28WFR1EK	AV-28WFR1EKS/A AV-28WFR1EK/A	PARTS NAME	
△	REF.No.	Parts No.	Parts No.	
△	V01	W66ERF031X013	W66QDE891X923	CRT(ITC)
△	L01	QQW0070-001	QQW0100-001	DEG COIL
△	L03	CELD904-001	—————	ROTATION COIL (Delete)
△	T2551	QQH0065-002-I2	QQH0089-002-I2	FBT

### ● MAIN PARTS DIFFERENCE TABLE (32" Models)

Model	AV-32WFT1EPG AV-32WFT1EKS	AV-32WFT1EPG/A AV-32WFT1EKS/A	PARTS NAME	
△	REF.No.	Parts No.	Parts No.	
△	V01	W76ERF031X013	W76EKW10X21	CRT(ITC)
△	L01	QQW0066-001	QQW0105-001	DEG COIL
△	L03	CELD904-001	—————	ROTATION COIL (Delete)
△	T2551	QQH0065-002-I2	QQH0094-002-I2	FBT

# PARTS LIST

## CAUTION

- The parts identified by the  $\triangle$  symbol are important for the safety. Whenever replacing these parts, be sure to use specified ones to secure the safety .
- The parts not indicated in this Parts List and those which are filled with lines — in the Parts No. columns will not be supplied.
- P. W. Board Ass'y will not be supplied, but those which are filled with the Parts No. in the Parts No. columns will be supplied.

## ABBREVIATIONS OF RESISTORS, CAPACITORS AND TOLERANCES

RESISTORS		CAPACITORS	
C R	Carbon Resistor	C CAP.	Ceramic Capacitor
F R	Fusible Resistor	E CAP.	Electrolytic Capacitor
P R	Plate Resistor	M CAP.	Mylar Capacitor
V R	Variable Resistor	HV CAP.	High Voltage Capacitor
HV R	High Voltage Resistor	MF CAP.	Metalized Film Capacitor
MF R	Metal Film Resistor	MM CAP.	Metalized Mylar Capacitor
MG R	Metal Glazed Resistor	MP CAP.	Metalized Polystyrol Capacitor
MP R	Metal Plate Resistor	PP CAP.	Polypropylene Capacitor
OM R	Metal Oxide Film Resistor	PS CAP.	Polystyrol Capacitor
CMF R	Coating Metal Film Resistor	TF CAP.	Thin Film Capacitor
UNF R	Non-Flammable Resistor	MPP CAP.	Metalized Polypropylene Capacitor
CH V R	Chip Variable Resistor	TAN. CAP.	Tantalum Capacitor
CH MG R	Chip Metal Glazed Resistor	CH C CAP.	Chip Ceramic Capacitor
COMP. R	Composition Resistor	BP E CAP.	Bi-Polar Electrolytic Capacitor
LPTC R	Linear Positive Temperature Coefficient Resistor	CH AL E CAP.	Chip Aluminum Electrolytic Capacitor
		CH AL BP CAP.	Chip Aluminum Bi-Polar Capacitor
		CH TAN. E CAP.	Chip Tantalum Electrolytic Capacitor
		CH AL BP E CAP.	Chip Tantalum Bi-Polar Electrolytic Capacitor

TOLERANCES									
F	G	J	K	M	N	R	H	Z	P
±1%	±2%	±5%	±10%	±20%	±30%	+30% -10%	+50% -10%	+80% -20%	+100% -0%

# CONTENTS

## AV-28WFR1EKS/A / AV-28WFR1EK/A / AV-32WFR1EKS/A

■ USING PW BOARD & REMOTE CONTROL UNIT .....	5
■ REMOTE CONTROL UNIT PARTS LIST .....	5

### AV-28WFR1EKS/A / AV-28WFR1EK/A

■ EXPLODED VIEW PARTS LIST .....	6
■ EXPLODED VIEW ( I ) .....	6
■ EXPLODED VIEW ( II ) .....	7
■ PRINTED WIRING BOARD PARTS LIST	
● MAIN PW BOARD ASS'Y .....	8
● POWER & DEF PW BOARD ASS' Y .....	11
● CRT SOCKET PW BOARD ASS'Y .....	13
● FRONT CONTROL PW BOARD ASS'Y .....	13
● DOLBY PW BOARD ASS'Y .....	14
● AV SEL. PW BOARD ASS'Y .....	15
■ PACKING .....	18
■ PACKING PARTS LIST .....	19

### AV-32WFR1EKS/A

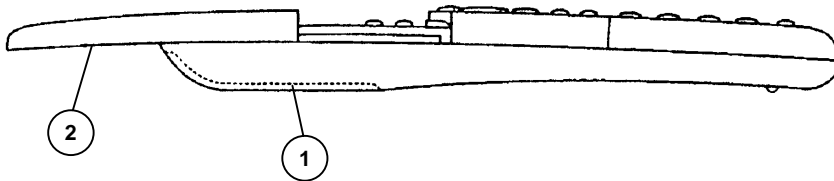
■ EXPLODED VIEW PARTS LIST .....	20
■ EXPLODED VIEW ( I ) .....	20
■ EXPLODED VIEW ( II ) .....	21
■ PRINTED WIRING BOARD PARTS LIST	
● MAIN PW BOARD ASS'Y .....	22
● POWER & DEF PW BOARD ASS' Y .....	25
● CRT SOCKET PW BOARD ASS'Y .....	27
● FRONT CONTROL PW BOARD ASS'Y .....	27
● DOLBY PW BOARD ASS'Y .....	28
● AV SEL. PW BOARD ASS'Y .....	28
■ PACKING .....	BACK COVER
■ PACKING PARTS LIST .....	BACK COVER

## USING PW BOARD & REMOTE CONTROL UNIT

PWB ASS'Y \ Model	AV-28WFR1EKS/A	AV-28WFR1EK/A	AV-32WFR1EKS/A
MAIN PWB	SJK-1906A-U2	←	SJK-1908A-U2
POWER & DEF PWB	SJK-2508A-H3	←	SJK-2507A-H3
DOLBY PWB	SJK0D501A-H3	←	←
CRT SOCKET PWB	SJK-3503A-H3	←	SJK-3504A-H3
FRONT CONTROL PWB	SJK-8506A-H3	←	SJK-8508A-H3
AV SEL. PWB	SJK0S905A-H3	←	SJK0S907A-H3
REMOTE CONTROL UNIT	RM-C52-1C	←	←

## AV-28WFR1EKS/A / AV-28WFR1EK/A / AV-32WFR1EKS/A

### REMOTE CONTROL UNIT PARTS LIST [ RM-C52-1C ]



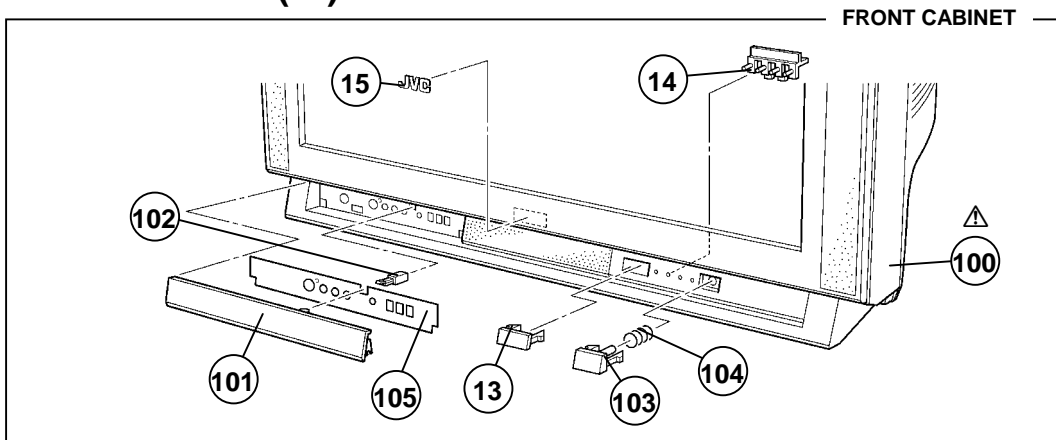
△ Ref. No.	Part No.	Part Name	Description
1	2AA027770	BATTERY COVER	
2	2AA027763	SLIDE COVER	

# AV-28WFR1EKS/A / AV-28WFR1EK/A

## EXPLODED VIEW PARTS LIST

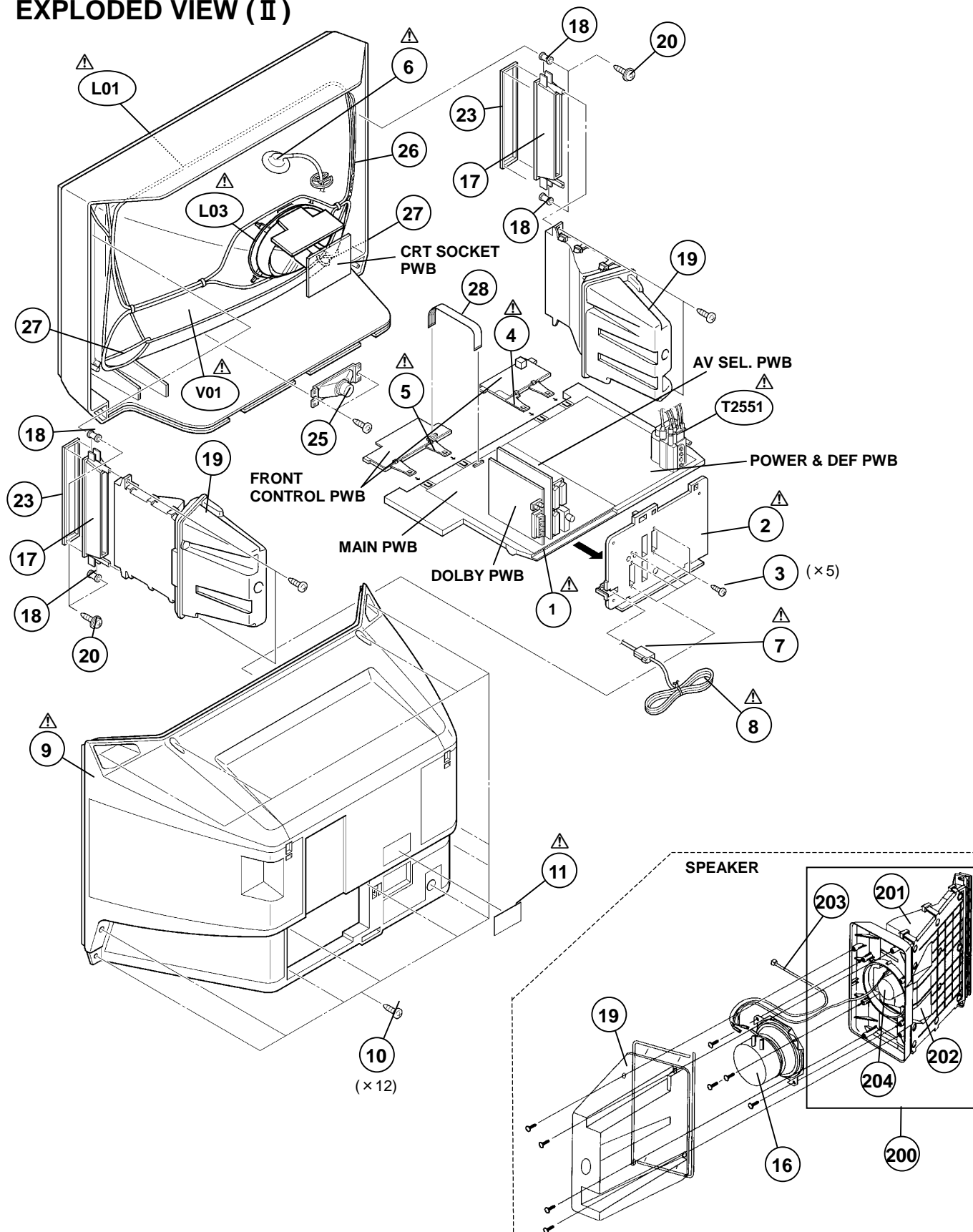
△ Ref. No.	Part No.	Part Name	Description
△ V01	W66QDE891X923	CRT (ITC)	Inc. DY, PC MAGNET, WEDGE
△ L01	QQW0100-001	DEG COIL	
△ T2551	QQH0089-002-I2	H. V. TRANSF	(SERVICE) Within POWER & DEF PWB
△ 1	LC10716-002F-U	CHASSIS BASE	
△ 2	LC10717-002C-U	AV BOARD	[AV-28WFR1EKS]
△ 2	LC10717-002D-U	AV BOARD	[AV-28WFR1EKA]
△ 3	QYSBSB3012M	TAPPING SCREW	(×5) For AV BOARD
△ 4	LC10380-003B-U	CONTROL BASE L	
△ 5	LC10380-004B-U	CONTROL BASE R	
△ 6	QNZO369-003	ANODE WIRE	
△ 7	CM46618-A01-E	POWER CORD CLAMP	
△ 8	GMPN130-185-JC	POWER CORD	
△ 9	<b>LC10664-002B-U</b>	<b>REAR COVER</b>	[AV-28WFR1EKS]
△ 9	<b>LC10664-001E-U</b>	<b>REAR COVER</b>	[AV-28WFR1EKA]
10	QYSBSAG4016N	TAPPING SCREW	(×12)
△ 11	<b>LC20091-030A-U</b>	<b>RATING LABEL</b>	[AV-28WFR1EKS]
△ 11	<b>LC20091-029A-U</b>	<b>RATING LABEL</b>	[AV-28WFR1EKA]
13	LC30579-001B-C	REMOCON WINDOW	
14	LC30580-001B-C	L. E. D. LENS	
15	LC40354-001C-C	JVC MARK	
16	CEBSF10P-05KJ6	SPEAKER	(×2) SP01, SP02
17	LC10379-001A-U	HORN ADAPTER	(×2)
18	AEM4087-001-E	BUSHING	(×4)
19	CM12686-A01-E	DOME BOX	(×2)
20	LC40506-001A	TAP SCREW	(×4) For HORN ADAPTER
23	LC30820-001C	SP SPACER	(×4)
25	QAS0030-001	SPEAKER	SP03
26	WJY0001-004A	E-BRAIDED ASSY	
27	CHGB0017-0B	BRAIDED SUB ASSY	(×2)
28	CHFD125-08BD	FFC WIRE	
△ 100	<b>LC10662-008C-U</b>	<b>FRONT CABI ASSY</b>	Inc. No. 101~105 [AV-28WFR1EKS]
△ 100	<b>LC10662-004D-U</b>	<b>FRONT CABI ASSY</b>	Inc. No. 101~105 [AV-28WFR1EKA]
101	<b>LC20265-011B-U</b>	<b>DOOR</b>	(SERVICE) [AV-28WFR1EKS]
101	<b>LC20265-007A-U</b>	<b>DOOR</b>	(SERVICE) [AV-28WFR1EKA]
102	CM48229-00A-C	DOOR LATCH	
103	<b>LC30578-006A-U</b>	<b>POWER KNOB</b>	(SERVICE) [AV-28WFR1EKS]
103	<b>LC30578-004A-U</b>	<b>POWER KNOB</b>	(SERVICE) [AV-28WFR1EKA]
104	AEM3149-001-E	SPRING	
105	<b>LC31109-005A-U</b>	<b>CONTROL SHEET</b>	[AV-28WFR1EKS]
105	<b>LC31109-004B-U</b>	<b>CONTROL SHEET</b>	[AV-28WFR1EKA]
200	2528MXSP-1SWE	DOME SPEAKER	(×2) Inc. No. 201~204
201	CM12463-D01-E	HORN	(×2)
202	CM12464-D01-E	HORN PANEL	(×2)
203	CHGS0057-AA	SPEAKER WIRE	(×2)
204	CEBS03K-01KJ2	SPEAKER	(×2)

## EXPLODED VIEW ( I )



# AV-28WFR1EKS/A / AV-28WFR1EK/A

## EXPLODED VIEW ( II )



# AV-28WFR1EKS/A / AV-28WFR1EK/A

## PRINTED WIRING BOARD PARTS LIST

### MAIN PW BOARD ASS'Y (SJK-1906A-U2)

△ Symbol No.	Part No.	Part Name	Description
<b>RESISTOR</b>			
R1001	NRSA02J-102X	MG R	1kΩ 1/10W J
R1004	NRSA02J-102X	MG R	1kΩ 1/10W J
R1005	NRSA02J-102X	MG R	1kΩ 1/10W J
R1006	NRSA02J-102X	MG R	1kΩ 1/10W J
R1007	NRSA02J-104X	MG R	100kΩ 1/10W J
R1008	NRSA02J-OROX	MG R	0.0Ω 1/10W J
R1301	NRSA02J-103X	MG R	10kΩ 1/10W J
R1302	NRSA02J-183X	MG R	18kΩ 1/10W J
R1303	NRSA02J-153X	MG R	15kΩ 1/10W J
R1304	QRG01GJ-121	OM R	120Ω 1W J
R1305	NRSA02J-562X	MG R	5.6kΩ 1/10W J
R1306	NRSA02J-222X	MG R	2.2kΩ 1/10W J
R1307	NRSA02J-102X	MG R	1kΩ 1/10W J
R1308	NRSA02J-471X	MG R	470Ω 1/10W J
R1309	NRSA02J-222X	MG R	2.2kΩ 1/10W J
R1310-11	NRSA02J-391X	MG R	390Ω 1/10W J
R1312-13	NRSA02J-101X	MG R	100Ω 1/10W J
R1314	NRSA02J-562X	MG R	5.6kΩ 1/10W J
R1316	NRSA02J-224X	MG R	220kΩ 1/10W J
R1317	NRSA02J-101X	MG R	100Ω 1/10W J
R1318	NRSA02J-102X	MG R	1kΩ 1/10W J
R1319	NRSA02J-102X	MG R	1kΩ 1/10W J
R1320	NRSA02J-102X	MG R	1kΩ 1/10W J
R1321	NRSA02J-102X	MG R	1kΩ 1/10W J
R1327	NRSA02J-OROX	MG R	0.0Ω 1/10W J
R1328	NRSA02J-102X	MG R	1kΩ 1/10W J
R1329	NRSA02J-102X	MG R	1kΩ 1/10W J
R1330	NRSA02J-472X	MG R	4.7kΩ 1/10W J
R1331	NRSA02J-333X	MG R	33kΩ 1/10W J
R1332-33	NRSA02J-222X	MG R	2.2kΩ 1/10W J
R1335	NRSA02J-273X	MG R	27kΩ 1/10W J
R1336	NRSA02J-103X	MG R	10kΩ 1/10W J
R1337	NRSA02J-102X	MG R	1kΩ 1/10W J
R1338	NRSA02J-562X	MG R	5.6kΩ 1/10W J
R1339	NRSA02J-102X	MG R	1kΩ 1/10W J
R1340-41	NRSA02J-333X	MG R	33kΩ 1/10W J
R1342	NRSA02J-152X	MG R	1.5kΩ 1/10W J
R1343	NRSA02J-272X	MG R	2.7kΩ 1/10W J
R1344	NRSA02J-471X	MG R	470Ω 1/10W J
R1345	NRSA02J-102X	MG R	1kΩ 1/10W J
R1346	NRSA02J-223X	MG R	22kΩ 1/10W J
R1401-02	NRSA02J-103X	MG R	10kΩ 1/10W J
R1403	NRSA02J-102X	MG R	1kΩ 1/10W J
R1404	NRSA02J-183X	MG R	18kΩ 1/10W J
R1405	NRSA02J-223X	MG R	22kΩ 1/10W J
R1409	NRSA02J-OROX	MG R	0.0Ω 1/10W J
R1411	NRVA02D-473X	MF R	47kΩ 1/10W D
R1413	NRVA02D-223X	MF R	22kΩ 1/10W D
R1414	NRVA02D-101X	MF R	100Ω 1/10W D
R1415	NRSA02J-562X	MG R	5.6kΩ 1/10W J
R1416	NRSA02J-101X	MG R	100Ω 1/10W J
R1417	NRSA02J-223X	MG R	22kΩ 1/10W J
R1418	NRSA02J-682X	MG R	6.8kΩ 1/10W J
R1419	NRSA02J-562X	MG R	5.6kΩ 1/10W J
R1420	NRSA02J-183X	MG R	18kΩ 1/10W J
R1501	NRSA02J-621X	MG R	620Ω 1/10W J
R1502	NRSA02J-103X	MG R	10kΩ 1/10W J
R1503	NRSA02J-104X	MG R	100kΩ 1/10W J
R1504	NRSA02J-822X	MG R	8.2kΩ 1/10W J
R1505-06	NRSA02J-221X	MG R	220Ω 1/10W J
R1507	NRSA02J-102X	MG R	1kΩ 1/10W J
R1508	NRSA02J-223X	MG R	22kΩ 1/10W J
R1509	NRSA02J-223X	MG R	22kΩ 1/10W J
R1511	NRSA02J-OROX	MG R	0.0Ω 1/10W J

△ Symbol No.	Part No.	Part Name	Description
<b>RESISTOR</b>			
R1514	NRSA02J-472X	MG R	4.7kΩ 1/10W J
R1516	NRSA02J-222X	MG R	2.2kΩ 1/10W J
R1517	NRSA02J-472X	MG R	4.7kΩ 1/10W J
R1518	NRSA02J-682X	MG R	6.8kΩ 1/10W J
R1519	NRSA02J-562X	MG R	5.6kΩ 1/10W J
R1520	NRSA02J-152X	MG R	1.5kΩ 1/10W J
R1551	QRK126J-100X	C R	10Ω 1/2W J
R1552	NRSA02J-124X	MG R	120kΩ 1/10W J
R1553	NRSA02J-683X	MG R	68kΩ 1/10W J
R1554	NRSA02J-333X	MG R	33kΩ 1/10W J
R1555	NRSA02J-472X	MG R	4.7kΩ 1/10W J
R1556	NRSA02J-154X	MG R	150kΩ 1/10W J
R1557-58	NRSA02J-562X	MG R	5.6kΩ 1/10W J
R1559	NRSA02J-OROX	MG R	0.0Ω 1/10W J
R1560	NRSA02J-104X	MG R	100kΩ 1/10W J
R1561	QRK126J-100X	C R	10Ω 1/2W J
R1571	NRSA02J-101X	MG R	100Ω 1/10W J
R1572	NRSA02J-133X	MG R	13kΩ 1/10W J
R1573	NRSA02J-821X	MG R	820Ω 1/10W J
R1633	NRSA02J-273X	MG R	27kΩ 1/10W J
R1634	NRSA02J-OROX	MG R	0.0Ω 1/10W J
R1638	NRSA02J-473X	MG R	47kΩ 1/10W J
R1641	NRSA02J-OROX	MG R	0.0Ω 1/10W J
R1642-45	NRSA02J-104X	MG R	100kΩ 1/10W J
R1649	NRSA02J-682X	MG R	6.8kΩ 1/10W J
R1650	NRSA02J-104X	MG R	100kΩ 1/10W J
R1651	NRSA02J-223X	MG R	22kΩ 1/10W J
R1652	NRSA02J-562X	MG R	5.6kΩ 1/10W J
R1653	QRK126J-103X	C R	10kΩ 1/2W J
R1654	NRSA02J-472X	MG R	4.7kΩ 1/10W J
R1655	NRSA02J-223X	MG R	22kΩ 1/10W J
R1656	NRSA02J-562X	MG R	5.6kΩ 1/10W J
R1657	NRSA02J-332X	MG R	3.3kΩ 1/10W J
R1658	NRSA02J-122X	MG R	1.2kΩ 1/10W J
R1659	NRSA02J-332X	MG R	3.3kΩ 1/10W J
R1660	QRK126J-2R2X	C R	2.2Ω 1/2W J
R1661	NRSA02J-103X	MG R	10kΩ 1/10W J
R1663	NRSA02J-561X	MG R	560Ω 1/10W J
R1664	NRSA02J-562X	MG R	5.6kΩ 1/10W J
R1665-66	NRSA02J-681X	MG R	680Ω 1/10W J
R1668	NRSA02J-223X	MG R	22kΩ 1/10W J
R1669	NRSA02J-223X	MG R	22kΩ 1/10W J
R1670	NRSA02J-681X	MG R	680Ω 1/10W J
R1672	NRSA02J-681X	MG R	680Ω 1/10W J
R1673	NRSA02J-223X	MG R	22kΩ 1/10W J
R1674	NRSA02J-223X	MG R	22kΩ 1/10W J
R1675	NRSA02J-103X	MG R	10kΩ 1/10W J
R1676	NRSA02J-563X	MG R	56kΩ 1/10W J
R1677-78	NRSA02J-273X	MG R	27kΩ 1/10W J
R1679	NRSA02J-103X	MG R	10kΩ 1/10W J
R1680	NRSA02J-563X	MG R	56kΩ 1/10W J
R1682	QRK126J-2R2X	C R	2.2Ω 1/2W J
R1683	QRK126J-2R2X	C R	2.2Ω 1/2W J
R1687	QRK126J-2R2X	C R	2.2Ω 1/2W J
R1688	QRK126J-2R2X	C R	2.2Ω 1/2W J
R1689	NRSA02J-473X	MG R	47kΩ 1/10W J
R1691	QRG01GJ-180	OM R	18Ω 1W J
R1701	NRSA02J-221X	MG R	220Ω 1/10W J
R1702	NRSA02J-822X	MG R	8.2kΩ 1/10W J
R1703	NRSA02J-273X	MG R	27kΩ 1/10W J
R1704	NRSA02J-473X	MG R	47kΩ 1/10W J
R1705	NRSA02J-102X	MG R	1kΩ 1/10W J
R1706	NRSA02J-223X	MG R	22kΩ 1/10W J
R1707-12	NRSA02J-103X	MG R	10kΩ 1/10W J



△ Symbol No.	Part No.	Part Name	Description
<b>RESISTOR</b>			
R1713	NRSA02J-102X	MG R	1kΩ 1/10W J
R1714	NRSA02J-102X	MG R	1kΩ 1/10W J
R1716	NRSA02J-102X	MG R	1kΩ 1/10W J
R1717	NRSA02J-104X	MG R	100kΩ 1/10W J
R1718	NRSA02J-682X	MG R	6.8kΩ 1/10W J
R1719	NRSA02J-682X	MG R	6.8kΩ 1/10W J
R1720	NRSA02J-472X	MG R	4.7kΩ 1/10W J
R1721	NRSA02J-103X	MG R	10kΩ 1/10W J
R1722	NRSA02J-472X	MG R	4.7kΩ 1/10W J
R1723	NRSA02J-102X	MG R	1kΩ 1/10W J
R1724-28	NRSA02J-472X	MG R	4.7kΩ 1/10W J
R1729-31	NRSA02J-221X	MG R	220Ω 1/10W J
R1732	NRSA02J-562X	MG R	5.6kΩ 1/10W J
R1733	NRSA02J-103X	MG R	10kΩ 1/10W J
R1734	NRSA02J-223X	MG R	22kΩ 1/10W J
R1736-39	NRSA02J-103X	MG R	10kΩ 1/10W J
R1740	NRSA02J-331X	MG R	330Ω 1/10W J
R1741	NRSA02J-102X	MG R	1kΩ 1/10W J
R1742	NRSA02J-102X	MG R	1kΩ 1/10W J
R1745-47	NRSA02J-472X	MG R	4.7kΩ 1/10W J
R1748-52	NRSA02J-221X	MG R	220Ω 1/10W J
R1753	NRSA02J-102X	MG R	1kΩ 1/10W J
R1754	NRSA02J-683X	MG R	68kΩ 1/10W J
R1755	NRSA02J-102X	MG R	1kΩ 1/10W J
R1756	NRSA02J-103X	MG R	10kΩ 1/10W J
R1758	NRSA02J-103X	MG R	10kΩ 1/10W J
R1759	NRSA02J-472X	MG R	4.7kΩ 1/10W J
R1760	NRSA02J-103X	MG R	10kΩ 1/10W J
R1762-63	NRSA02J-103X	MG R	10kΩ 1/10W J
R1764-66	NRSA02J-221X	MG R	220Ω 1/10W J
R1767	NRSA02J-103X	MG R	10kΩ 1/10W J
R1770	NRSA02J-272X	MG R	2.7kΩ 1/10W J
R1771-73	NRSA02J-222X	MG R	2.2kΩ 1/10W J
R1774-75	NRSA02J-333X	MG R	33kΩ 1/10W J
R1777-79	NRSA02J-222X	MG R	2.2kΩ 1/10W J
R1780	NRSA02J-102X	MG R	1kΩ 1/10W J
R1784	NRSA02J-223X	MG R	22kΩ 1/10W J
R1785	NRSA02J-223X	MG R	22kΩ 1/10W J
R1786	NRSA02J-473X	MG R	47kΩ 1/10W J
R1787	NRSA02J-332X	MG R	3.3kΩ 1/10W J
R1788	NRSA02J-272X	MG R	2.7kΩ 1/10W J
R1789	NRSA02J-473X	MG R	47kΩ 1/10W J
R1790	NRSA02J-682X	MG R	6.8kΩ 1/10W J
R1801	NRSA02J-333X	MG R	33kΩ 1/10W J
R1802	NRSA02J-222X	MG R	2.2kΩ 1/10W J
R1804	NRSA02J-473X	MG R	47kΩ 1/10W J
R1805	NRSA02J-332X	MG R	3.3kΩ 1/10W J
R1806	NRSA02J-184X	MG R	180kΩ 1/10W J
R1834	NRSA02J-473X	MG R	47kΩ 1/10W J
R1835	NRSA02J-152X	MG R	1.5kΩ 1/10W J
R1837	NRSA02J-102X	MG R	1kΩ 1/10W J
R1838	NRSA02J-393X	MG R	39kΩ 1/10W J
R1839	NRSA02J-332X	MG R	3.3kΩ 1/10W J
R1840	NRSA02J-152X	MG R	1.5kΩ 1/10W J
R1841	NRSA02J-331X	MG R	330Ω 1/10W J
R1842	NRSA02J-222X	MG R	2.2kΩ 1/10W J
R1843	NRSA02J-332X	MG R	3.3kΩ 1/10W J
R1844	NRSA02J-392X	MG R	3.9kΩ 1/10W J
R1845	NRSA02J-272X	MG R	2.7kΩ 1/10W J
R1846	NRSA02J-103X	MG R	10kΩ 1/10W J
R1847-48	NRSA02J-472X	MG R	4.7kΩ 1/10W J
R1849	NRSA02J-823X	MG R	82kΩ 1/10W J
R1850	NRSA02J-102X	MG R	1kΩ 1/10W J
R1851	NRSA02J-102X	MG R	1kΩ 1/10W J
R1852	NRSA02J-102X	MG R	1kΩ 1/10W J
R1853	NRSA02J-102X	MG R	1kΩ 1/10W J
R1854	NRSA02J-102X	MG R	1kΩ 1/10W J
R1855	NRSA02J-102X	MG R	1kΩ 1/10W J
R1856	NRSA02J-102X	MG R	1kΩ 1/10W J
R1857	NRSA02J-472X	MG R	4.7kΩ 1/10W J
R1858	NRSA02J-223X	MG R	22kΩ 1/10W J
R1859	NRSA02J-823X	MG R	82kΩ 1/10W J

△ Symbol No.	Part No.	Part Name	Description
<b>RESISTOR</b>			
R1871	NRSA02J-102X	MG R	1kΩ 1/10W J
R1872-73	NRSA02J-222X	MG R	2.2kΩ 1/10W J
R1874	NRSA02J-272X	MG R	2.7kΩ 1/10W J
R1875	NRSA02J-104X	MG R	100kΩ 1/10W J
R1876	NRSA02J-102X	MG R	1kΩ 1/10W J
R1877	NRSA02J-393X	MG R	39kΩ 1/10W J
R1878-80	NRSA02J-152X	MG R	1.5kΩ 1/10W J
R1881-82	NRSA02J-331X	MG R	330Ω 1/10W J
R1883	NRSA02J-102X	MG R	1kΩ 1/10W J
R1884	NRSA02J-331X	MG R	330Ω 1/10W J
<b>CAPACITOR</b>			
C1001	NCB21HK-222X	C CAP.	2200pF 50V K
C1003	NCB21EK-104X	C CAP.	0.1μF 25V K
C1004	QETN1CM-108Z	E CAP.	1000μF 16V M
C1005	QETN1CM-107Z	E CAP.	100μF 16V M
C1006	QETN1HM-106Z	E CAP.	10μF 50V M
C1007	NCB21EK-104X	C CAP.	0.1μF 25V K
C1008	QETN1HM-106Z	E CAP.	10μF 50V M
C1009	NCB21EK-104X	C CAP.	0.1μF 25V K
C1010	QETN1CM-107Z	E CAP.	100μF 16V M
C1301	NCB21EK-104X	C CAP.	0.1μF 25V K
C1302	NCB21HK-823X	CHI P CAP.	0.082μF 50V K
C1303	QETN1EM-476Z	E CAP.	47μF 25V M
C1304	NCB21HK-103X	C CAP.	0.01μF 50V K
C1305	QETN1CM-107Z	E CAP.	100μF 16V M
C1306	NCB21HK-103X	C CAP.	0.01μF 50V K
C1307	QETN1CM-477Z	E CAP.	470μF 16V M
C1308	NDC21HJ-120X	C CAP.	12pF 50V J
C1309	QETN1HM-475Z	E CAP.	4.7μF 50V M
C1310	NCB21HK-103X	C CAP.	0.01μF 50V K
C1311	QETN1HM-106Z	E CAP.	10μF 50V M
C1312	NDC21HJ-680X	C CAP.	68pF 50V J
C1313	QETN1CM-107Z	E CAP.	100μF 16V M
C1314	NCB21HK-103X	C CAP.	0.01μF 50V K
C1315	QETN1HM-106Z	E CAP.	10μF 50V M
C1319	QETN1CM-107Z	E CAP.	100μF 16V M
C1320	NCB21HK-103X	C CAP.	0.01μF 50V K
C1321-23	NCB21EK-104X	C CAP.	0.1μF 25V K
C1324-26	QETN1HM-105Z	E CAP.	1μF 50V M
C1327	QETN1HM-475Z	E CAP.	4.7μF 50V M
C1328	QETN1CM-107Z	E CAP.	100μF 16V M
C1329	QETN1EM-476Z	E CAP.	47μF 25V M
C1331	QETN1HM-105Z	E CAP.	1μF 50V M
C1332	NCB21HK-103X	C CAP.	0.01μF 50V K
C1333	NCB21EK-104X	C CAP.	0.1μF 25V K
C1401	QETN1HM-105Z	E CAP.	1μF 50V M
C1403-05	NCB21HK-103X	C CAP.	0.01μF 50V K
C1406	QFV71HJ-184Z	MF CAP.	0.18μF 50V J
C1407	QFV71HJ-824Z	MF CAP.	0.82μF 50V J
C1408	NCB21HK-153X	C CAP.	0.015μF 50V K
C1501	QETN1CM-107Z	E CAP.	100μF 16V M
C1502-04	NCB21HK-103X	C CAP.	0.01μF 50V K
C1505	NCB21HK-332X	C CAP.	3300pF 50V K
C1506	QETN1HM-335Z	E CAP.	3.3μF 50V M
C1507	NCB21HK-103X	C CAP.	0.01μF 50V K
C1508	QETN1CM-108Z	E CAP.	1000μF 16V M
C1509	NCB21HK-823X	CHI P CAP.	0.082μF 50V K
C1510-11	NCB21HK-103X	C CAP.	0.01μF 50V K
C1512	QTMN1HM-105Z	E CAP.	1μF 50V M
C1513	QETN1CM-228Z	E CAP.	2200μF 16V M
C1514	NCB21HK-103X	C CAP.	0.01μF 50V K
C1515	QFV71HJ-394Z	MF CAP.	0.39μF 50V J
C1516	NCB21HK-103X	C CAP.	0.01μF 50V K
C1551-52	NCB21EK-224X	CHI P CAP.	0.22μF 25V K
C1553	QETN1EM-476Z	E CAP.	47μF 25V M
C1554-55	NCB21EK-224X	CHI P CAP.	0.22μF 25V K
C1571	NCB21HK-103X	C CAP.	0.01μF 50V K
C1605-06	NCB21EK-104X	C CAP.	0.1μF 25V K
C1622-23	QETN1CM-227Z	E CAP.	220μF 16V M
C1624-25	QETN1HM-105Z	E CAP.	1μF 50V M

△ Symbol No.	Part No.	Part Name	Description
<b>CAPACITOR</b>			
C1626	QETN1HM-476Z	E CAP.	47μF 50V M
C1627	NDC21HJ-181X	C CAP.	180pF 50V J
C1629	QETN1HM-476Z	E CAP.	47μF 50V M
C1630	NDC21HJ-181X	C CAP.	180pF 50V J
C1631	QETN1HM-105Z	E CAP.	1μF 50V M
C1632	QETN1HM-106Z	E CAP.	10μF 50V M
C1633	QETN1HM-105Z	E CAP.	1μF 50V M
C1635	QETN1HM-105Z	E CAP.	1μF 50V M
C1636	QETN1HM-107Z	E CAP.	100μF 50V M
C1637	QETN1HM-106Z	E CAP.	10μF 50V M
C1638-39	NCF21HZ-224X	C CAP.	0.22μF 50V Z
C1642	QETN1HM-105Z	E CAP.	1μF 50V M
C1643	QETN1CM-107Z	E CAP.	100μF 16V M
C1644-45	NCB21EK-104X	C CAP.	0.1μF 25V K
C1646	QETN1CM-107Z	E CAP.	100μF 16V M
C1647	QETN1HM-105Z	E CAP.	1μF 50V M
C1649	NDC21HJ-100X	C CAP.	10pF 50V J
C1651	NDC21HJ-100X	C CAP.	10pF 50V J
C1652-55	NCF21HZ-224X	C CAP.	0.22μF 50V Z
C1656	QETN1HM-228	E CAP.	2200μF 50V M
C1657-58	QETM1EM-228	E CAP.	2200μF 25V M
C1661-63	QETM1VM-108	E CAP.	1000μF 35V M
C1664-67	QFV71HJ-684Z	MF CAP.	0.68μF 50V J
C1668	NCB21EK-104X	C CAP.	0.1μF 25V K
C1671	QETN1CM-107Z	E CAP.	100μF 16V M
C1672	NCB21EK-104X	C CAP.	0.1μF 25V K
C1673	QETN1CM-227Z	E CAP.	220μF 16V M
C1674	NRSAO2J-0R0X	MG R	0.0Ω 1/10W J
C1675	QETN1EM-476Z	E CAP.	47μF 25V M
C1701	NCF21CZ-105X	C CAP.	1μF 16V Z
C1703	QETN1EM-476Z	E CAP.	47μF 25V M
C1704	NCB21EK-104X	C CAP.	0.1μF 25V K
C1705	QETN1AM-107Z	E CAP.	100μF 10V M
C1706	NCB21EK-104X	C CAP.	0.1μF 25V K
C1707	QETN1HM-474Z	E CAP.	0.47μF 50V M
C1708	QETN1EM-476Z	E CAP.	47μF 25V M
C1709-10	NDC21HJ-120X	C CAP.	12pF 50V J
C1711	NCB21EK-104X	C CAP.	0.1μF 25V K
C1712	NDC21HJ-151X	C CAP.	150pF 50V J
C1713	QETN1HM-105Z	E CAP.	1μF 50V M
C1714	NDC21HJ-561X	C CAP.	560pF 50V J
C1716-17	QETN1HM-105Z	E CAP.	1μF 50V M
C1718	NCB21HK-333X	C CAP.	0.033μF 50V K
C1725	NCB21HK-102X	C CAP.	1000pF 50V K
C1726	NDC21HJ-821X	C CAP.	820pF 50V J
C1831	QENC1CM-476Z	BP E CAP.	47μF 16V M
C1832	QETN1EM-476Z	E CAP.	47μF 25V M
C1833	NDC21HJ-221X	C CAP.	220pF 50V J
C1834	NCB21EK-104X	C CAP.	0.1μF 25V K
C1835	NDC21HJ-220X	C CAP.	22pF 50V J
C1836-38	NCB21EK-104X	C CAP.	0.1μF 25V K
C1839	QETN1HM-106Z	E CAP.	10μF 50V M
C1871	NCB21EK-104X	C CAP.	0.1μF 25V K
C1872	NCB21HK-223X	C CAP.	0.022μF 50V K
C1873	NDC21HJ-221X	C CAP.	220pF 50V J
C1874-75	NDC21HJ-150X	C CAP.	15pF 50V J
C1876	NCB21HK-102X	C CAP.	1000pF 50V K
C1877	NCB21EK-104X	C CAP.	0.1μF 25V K
C1878	NCB21HK-102X	C CAP.	1000pF 50V K
C1879	NDC21HJ-221X	C CAP.	220pF 50V J
C1880	QETN1AM-477Z	E CAP.	470μF 10V M
C1881	NCB21EK-104X	C CAP.	0.1μF 25V K
C1882	QETN1EM-476Z	E CAP.	47μF 25V M
C1883	NCB21HK-103X	C CAP.	0.01μF 50V K
C1884-85	NCB21EK-104X	C CAP.	0.1μF 25V K
C1886	NCB21HK-103X	C CAP.	0.01μF 50V K
C1887-89	QETN1HM-106Z	E CAP.	10μF 50V M

△ Symbol No.	Part No.	Part Name	Description
<b>COIL</b>			
L1001	QQL01BK-5R6Z	COIL	5.6μH K
L1002	QQL01BK-270Z	COIL	27μH K
L1301-02	QQL01BK-4R7Z	COIL	4.7μH K
L1305	QQL244K-4R7Z	COIL	4.7μH K
L1501	QQL244J-151Z	PEAKING COIL	
L1701	QQL01BK-4R7Z	COIL	4.7μH K
L1702	QQL01BK-3R9Z	COIL	3.9μH K
L1871	QQL01BK-4R7Z	COIL	4.7μH K
<b>DIODE</b>			
D1301	MA3051/M/-X	ZENER DIODE	
D1302-04	MA111-X	SI DIODE	
D1503	RB100A-T2	SI DIODE	
D1602	MA111-X	SI DIODE	
D1604-07	MA111-X	SI DIODE	
D1609-10	MA111-X	SI DIODE	
D1611	MA704A-X	SI DIODE	
D1615	MA3051-X	ZENER DIODE	
D1616	MA3062/M/-X	ZENER DIODE	
D1617-19	MA3330/L/-X	ZENER DIODE	
D1620-23	MA3270/H/-X	ZENER DIODE	
D1624-25	MA111-X	SI DIODE	
D1627	MA111-X	SI DIODE	
D1701	MA3068/M/-X	ZENER DIODE	
D1702	MA111-X	SI DIODE	
D1704	MA111-X	SI DIODE	
D1705	MA3036-X	ZENER DIODE	
D1706-08	MA111-X	SI DIODE	
D1710	MA111-X	SI DIODE	
D1831	MA3051/M/-X	ZENER DIODE	
<b>TRANSISTOR</b>			
Q1301-02	2SA1037AK/QR/-X	SI TRANSISTOR	
Q1309	2SC2412K/QR/-X	SI TRANSISTOR	
Q1310	2SA1037AK/QR/-X	SI TRANSISTOR	
Q1311	DTC124EKA-X	DI GI TRANSISTOR	
Q1312	2SA1037AK/QR/-X	SI TRANSISTOR	
Q1401	DTC124EKA-X	DI GI TRANSISTOR	
Q1402	2SC2412K/QR/-X	SI TRANSISTOR	
Q1604-06	2SA1037AK/QR/-X	SI TRANSISTOR	
Q1607	DTC124EKA-X	DI GI TRANSISTOR	
Q1611	DTC124EKA-X	DI GI TRANSISTOR	
Q1613	2SA1037AK/QR/-X	SI TRANSISTOR	
Q1614	2SC2412K/QR/-X	SI TRANSISTOR	
Q1615-16	DTC323TK-X	DI GI TRANSISTOR	
Q1701-04	2SC2412K/QR/-X	SI TRANSISTOR	
Q1705-06	2SA1037AK/QR/-X	SI TRANSISTOR	
Q1707	2SC2412K/QR/-X	SI TRANSISTOR	
Q1708	2SA1037AK/QR/-X	SI TRANSISTOR	
Q1709-10	2SC2412K/QR/-X	SI TRANSISTOR	
Q1832-33	2SC2412K/QR/-X	SI TRANSISTOR	
Q1834	2SA1037AK/QR/-X	SI TRANSISTOR	
Q1835-37	2SC2412K/QR/-X	SI TRANSISTOR	
Q1871	2SA1037AK/QR/-X	SI TRANSISTOR	
Q1872	2SC2412K/QR/-X	SI TRANSISTOR	
<b>IC</b>			
IC1301	TB1227CN	I. C. (DI GI -OTHER)	
IC1302	TC4053BP/M/	I. C. (DI GI -MOS)	
IC1501	AN5441SA-W	I. C. (MONO-ANA)	
IC1551	LA6515	I. C. (MONO-ANA)	
IC1601	TA8256BH	I. C. (HYBRI D)	
IC1602-03	TDA2052V	I. C. (MONO-ANA)	
IC1604	BA4558F-X	I. C. (MONO-ANA)	
IC1607	BA05T	I. C. (MONO-ANA)	
IC1701	M37280MK-106SP	I. C.	
IC1702	AT24C16-32WFR1	I. C.	(SERV ICE)
IC1703	L78LR05E-MA	I. C. (MONO-ANA)	
IC1704	JLC1562BF-X	I. C. (DI GI -MOS)	
IC1831	JCC5035	I. C. (DI GI -MOS)	
IC1832	MN1382/Q/-X	I. C. (MONO-ANA)	
IC1871	ET417	I. C. (M)	
IC1872	ET206	I. C. (M)	

△ Symbol No.	Part No.	Part Name	Description
<b>OTHERS</b>			
K1001	CE41433-001Z	BEADS CORE	
K1004	CE41433-001Z	BEADS CORE	
K1307	CE41433-001Z	BEADS CORE	
K1872	QQL01BK-3R3Z	COIL	3.3μH K
LC1301	CE42142-222Z	EMI FILTER	
TU1001	QAU0189-002	TUNER	
X1301	QAX0305-001Z	CRYSTAL	
X1701	CST8.00MTW	CER. RESONATOR	
X1831	QAX0624-001Z	CER. RESONATOR	
X1871	CE41257-001Z	CRYSTAL	

**POWER & DEF PW BOARD ASS'Y (SJK-2508A-U2)**

△ Symbol No.	Part No.	Part Name	Description
<b>RESISTOR</b>			
R2401	QRE141J-682Y	C R	6.8kΩ 1/4W J
R2402	ORA14CF-6801Y	MF R	6.8kΩ 1/4W F
R2403	ORA14CF-3091Y	MF R	3.09kΩ 1/4W F
R2404-05	ORA14CF-8200Y	MF R	820Ω 1/4W F
R2406	QRE141J-103Y	C R	10kΩ 1/4W J
R2409	QRE141J-103Y	C R	10kΩ 1/4W J
R2410	QRE141J-102Y	C R	1kΩ 1/4W J
R2414	QRE121J-5R6Y	C R	5.6Ω 1/2W J
R2415	QRX01GJ-1R8	MF R	1.8Ω 1W J
R2416	QRG01GJ-820	OM R	82Ω 1W J
R2417	QRE121J-1R0Y	C R	1.0Ω 1/2W J
R2461	QRE141J-331Y	C R	330Ω 1/4W J
R2463	QRE121J-392Y	C R	3.9kΩ 1/2W J
R2464	QRE121J-562Y	C R	5.6kΩ 1/2W J
R2465	QRE121J-682Y	C R	6.8kΩ 1/2W J
R2466	QRE121J-102Y	C R	1kΩ 1/2W J
R2467	QRL039J-330	OM R	33Ω 3W J
R2492	QRE141J-683Y	C R	68kΩ 1/4W J
R2493	QRE141J-224Y	C R	220kΩ 1/4W J
△ R2494	QRZ9017-4R7	FR	4.7Ω 1/4W J
R2495	QRE141J-103Y	C R	10kΩ 1/4W J
R2496	QRE141J-183Y	C R	18kΩ 1/4W J
R2497	QRE141J-153Y	C R	15kΩ 1/4W J
R2502	QRE141J-222Y	C R	2.2kΩ 1/4W J
R2503	QRE121J-152Y	C R	1.5kΩ 1/2W J
R2504	QRL039J-	OM R	2.7kΩ 3W J
R2505	QRL039J-332	OM R	3.3kΩ 3W J
R2521	QRE121J-150Y	C R	15Ω 1/2W J
R2522	QRL039J-103	OM R	10kΩ 3W J
R2523	QRE121J-471Y	C R	470Ω 1/2W J
△ R2524	QRZ9017-4R7	FR	4.7Ω 1/4W J
R2525	QRE141J-152Y	C R	1.5kΩ 1/4W J
R2541	QRE121J-103Y	C R	10kΩ 1/2W J
R2542	QRE121J-222Y	C R	2.2kΩ 1/2W J
R2543	QRE121J-124Y	C R	120kΩ 1/2W J
R2544	QRE121J-104Y	C R	100kΩ 1/2W J
R2545	QRE141J-123Y	C R	12kΩ 1/4W J
R2546	QRE121J-104Y	C R	100kΩ 1/2W J
R2547	QRE141J-123Y	C R	12kΩ 1/4W J
R2548	QRE121J-222Y	C R	2.2kΩ 1/2W J
R2551-52	QRT039J-1R5	MF R	1.5Ω 3W J
R2553	QRF104K-5R6	UNF R	5.6kΩ 10W K
△ R2554	QRZ9022-R47	FR	0.47kΩ 1W K
△ R2555	QRZ9011-4R7	FR	4.7 Ω 1/2W J
R2561	QRL029J-220	OM R	22Ω 2W J
R2562	QRE121J-123Y	C R	12kΩ 1/2W J
R2563	QRZ0056-103Z	COMP. R	10kΩ
R2591	QRE121J-123Y	C R	12kΩ 1/2W J
R2592	ORA14CF-1201Y	MF R	1.2kΩ 1/4W F
R2593	QRE141J-183Y	C R	18kΩ 1/4W J

△ Symbol No.	Part No.	Part Name	Description
<b>RESISTOR</b>			
R2594	QRE141J-222Y	C R	2.2kΩ 1/4W J
△ R2595	ORA14CF-1692Y	MF R	16.9kΩ 1/4W F
△ R2596	ORA14CF-2401Y	MF R	2.4kΩ 1/4W F
R2597	QRE141J-273Y	C R	27kΩ 1/4W J
R2902	QRE121J-331Y	C R	330Ω 1/2W J
△ R2903	QRF104K-3R9	UNF R	3.9kΩ 10W J
R2904-05	QRE121J-474Y	C R	470kΩ 1/2W J
R2907-08	QRL039J-823	OM R	82kΩ 3W J
R2909	QRG039J-683	OM R	68kΩ 3W J
R2910	QRE121J-681Y	C R	680Ω 1/2W J
R2911	QRM059J-R15	MP R	0.15Ω 5W J
R2912	QRT029J-2R2	MF R	2.2Ω 2W J
△ R2913	QRZ9017-100	FR	10 Ω 1/4W J
R2914	QRE121J-272Y	C R	2.7kΩ 1/2W J
R2918	QRE121J-332Y	C R	3.3kΩ 1/2W J
R2933	QRE141J-102Y	C R	1kΩ 1/4W J
R2935	QRE141J-473Y	C R	47kΩ 1/4W J
R2936	QRE141J-103Y	C R	10kΩ 1/4W J
R2938	QRE121J-102Y	C R	1kΩ 1/2W J
R2940	QRE121J-390Y	C R	39Ω 1/2W J
R2967	QRL039J-223	OM R	22kΩ 3W J
R2976	QRL029J-100	OM R	10Ω 2W J
△ R2991	QRZ0057-825	C R	8.2MΩ 1W J

△ Symbol No.	Part No.	Part Name	Description
<b>CAPACITOR</b>			
C2401	QEHR1VM-227Z	E CAP.	220μF 35V M
C2402	QETM1VM-108	E CAP.	1000μF 35V M
C2403	QFLC2AJ-683Z	M CAP.	0.068μF 100V J
C2404	QETN1HM-105Z	E CAP.	1μF 50V M
C2405	QFLC1HJ-472Z	M CAP.	4700pF 50V J
C2406	QCZ0337-180Z	C CAP.	18pF 2kV K
C2407	QFLC1HJ-102Z	M CAP.	1000pF 50V J
C2408	QFV71HJ-334Z	MF CAP.	0.33μF 50V J
C2410	QFV71HJ-334Z	MF CAP.	0.33μF 50V J
C2411	QFLC2AJ-563Z	M CAP.	0.056μF 100V J
C2451	QFV71HJ-104Z	MF CAP.	0.1μF 50V J
C2461	QEZO195-475Z	E CAP.	4.7μF 50V M
C2462	QETN1HM-106Z	E CAP.	10μF 50V M
C2463	QFLC1HJ-153Z	M CAP.	0.015μF 50V J
C2464	QFLC1HJ-333Z	M CAP.	0.033μF 50V J
C2491	QETN1HM-105Z	E CAP.	1μF 50V M
C2492	QETN1HM-106Z	E CAP.	10μF 50V M
C2502	QCB32HK-681Z	C CAP.	680pF 500V K
C2503	QEHR2CM-105Z	E CAP.	1μF 160V M
△ C2521	QFZ0196-282	MPP CAP	2800pF1.5KVH±3%
△ C2522	QFZ0200-113	MPP CAP	0.011μF1.5KVH±3%
△ C2523	QFP32GJ-183	PP CAP.	0.015μF 400V J
C2524	QFN32DK-563	M CAP.	0.056μF 200V K
C2526	QFZ0197-304	MPP CAP	0.3μF 250V J
C2527	QEHR2EM-475Z	E CAP.	4.7μF 250V M
C2529	QFN32DK-473	M CAP.	0.047μF 200V K
C2530	QCB32HK-561Z	C CAP.	560pF 500V K
C2531	QFLC1HJ-103Z	M CAP.	0.01μF 50V J
C2533	QCS32HJ-560Z	C CAP.	56pF 500V J
C2542	QFZ0197-204	MPP CAP	0.2μF 250V J
C2543	QFZ0197-184	MPP CAP	0.18μF 250V J
C2551	QETN2EM-106	E CAP.	10μF 250V M
C2552	QCB32HK-152Z	C CAP.	1500pF 500V K
C2553	QEHR1EM-108Z	E CAP.	1000μF 25V M
C2554	QCB32HK-152Z	C CAP.	1500pF 500V K
C2555	QEHR1EM-108Z	E CAP.	1000μF 25V M
C2560	QETM2CM-227	E CAP.	220μF 160V M
C2561	QFLC1HJ-184Z	M CAP.	0.068μF 50V J
C2591	QETN1AM-107Z	E CAP.	100μF 10V M
C2592	QETN1EM-476Z	E CAP.	47μF 25V M
C2593	QETN2AM-106Z	E CAP.	10μF 100V M
C2594	QETN1AM-227Z	E CAP.	220μF 10V M
△ C2901	QFZ9040-473	MF CAP.	0.047μFAC275V M
△ C2904	QCZ9054-472	C CAP.	4700pFAC250V Z
△ C2905	QCZ9054-472	C CAP.	4700pFAC250V Z
△ C2906	QCZ9054-472	C CAP.	4700pFAC250V Z
C2907	QEZO199-227	E CAP.	220μF 400V M

△ Symbol No.	Part No.	Part Name	Description
<b>CAPACITOR</b>			
C2908	QCB32HK-103	C CAP.	0.01μF 500V K
C2909	QCZ0122-391	C CAP.	390pF 2kV K
C2910	QCZ0122-102	C CAP.	1000pF 2kV K
C2912	QCB31HK-471Z	C CAP.	470pF 50V K
C2913	QETN1HM-476Z	E CAP.	47μF 50V M
C2916	QETN1HM-107Z	E CAP.	100μF 50V M
C2918	QCB31HK-681Z	C CAP.	680pF 50V K
C2933-34	QETN1HM-106Z	E CAP.	10μF 50V M
C2935	QETN1EM-227Z	E CAP.	220μF 25V M
C2951	QCZ0122-561	C CAP.	560pF 2kV K
C2952	QEZO203-227	E CAP.	220μF 160V M
C2953	QCB32HK-391Z	C CAP.	390pF 500V K
C2954	QTM1EM-228	E CAP.	2200μF 25V M
C2955	QCB32HK-391Z	C CAP.	390pF 500V K
C2956	QTM1CM-228	E CAP.	2200μF 16V M
C2958	QCB32HK-391Z	C CAP.	390pF 500V K
C2959	QETM1VM-228	E CAP.	2200μF 35V M
C2960	QCB32HK-221Z	C CAP.	220pF 500V K
C2961	QETM1EM-338	E CAP.	3300μF 25V M
C2962	QCB32HK-221Z	C CAP.	220pF 500V K
C2963	QETM1EM-338	E CAP.	3300μF 25V M
C2964	QFV71HJ-684Z	MF CAP.	0.68μF 50V J
C2968	QCZ0120-104Z	C CAP.	0.1μF 25V Z
C2969	QEHR1CM-477Z	E CAP.	470μF 16V M
C2970	QEHR1CM-107Z	E CAP.	100μF 16V M
C2971	QCZ0120-104Z	C CAP.	0.1μF 25V Z
C2972	QETN1CM-227Z	E CAP.	220μF 16V M
C2973	QETN1EM-476Z	E CAP.	47μF 25V M
C2974	QCZ0120-104Z	C CAP.	0.1μF 25V Z
C2975	QETN1AM-227Z	E CAP.	220μF 10V M
C2976	QETN1EM-476Z	E CAP.	47μF 25V M
C2979	QFV71HJ-104Z	MF CAP.	0.1μF 50V J
△ C2991	QCZ9079-332	C CAP.	3300pFAC250V M
△ C2992	QCZ9079-471	C CAP.	470pFAC250V K
<b>TRANSFORMER</b>			
T2501	CE42034-002	H. DRIVE TRANSF.	(SERVICE)
△ T2551	QOH0089-002-1.2	H. V. TRANSF.	
T2561	QOR0898-001	DEF. TRANSF.	
△ T2901	QOS0065-001	SWITCH. TRANSF.	
△ T2921	QOT0303-001	POWER TRANSF.	
<b>COIL</b>			
L2461	QQLZ027-821	CHOKE COIL	
L2521	QQLZ028-501	CHOKE COIL	
L2522	QQR1106-001	LI NEARITY COIL	
L2561	QQLZ028-272	CHOKE COIL	
L2901-02	QQL402K-100	COIL	10μH K
△ L2903	QQR0659-004	CHOKE COIL	
L2951	QQLZ026-460	HEATER CHOKE	
L2952	QQL26AK-820Z	COIL	82μH K
L2953-54	QQL26AM-5R6Z	CHOKE COIL	
<b>DIODE</b>			
D2401	MTZJ75-T2	ZENER DIODE	
D2402	1N4003-T2	SI. DIODE	
D2451	BYD33D-T3	SI. DIODE	
D2491	BYD33D-T3	SI. DIODE	
D2492	MTZJ22B-T2	ZENER DIODE	
D2493	1SS133-T2	SI. DIODE	
D2494	1SS133-T2	SI. DIODE	
D2521	RH3G-F1	SI. DIODE	
D2522	BYW95B-20	SI. DIODE	
D2523	BYD33G-T3	SI. DIODE	
D2525	MTZJ9.1B-T2	ZENER DIODE	
D2551	BYD33G-T3	SI. DIODE	
D2553-54	BYW95B-20	SI. DIODE	
D2591	MTZJ15B-T2	ZENER DIODE	
D2592	MTZJ7.5B-T2	ZENER DIODE	
D2593	BYD33D-T3	SI. DIODE	
△ D2594	MTZJ7.5S-T2	ZENER DIODE	
D2901	D3SBA60	DIODE BRIDGE	
D2902	BYD33M-T3	SI. DIODE	

△ Symbol No.	Part No.	Part Name	Description
<b>DIODE</b>			
D2904	BYD33D-T3	SI. DIODE	
D2905	BYD33D-T3	SI. DIODE	
D2909	1SS133-T2	SI. DIODE	
D2911	MTZJ15B-T2	ZENER DIODE	
D2913	MTZJ27B-T2	ZENER DIODE	
D2931	1SS133-T2	SI. DIODE	
D2934	MTZJ6.2B-T2	ZENER DIODE	
D2935-38	1N4003-T2	SI. DIODE	
D2939	1SS133-T2	SI. DIODE	
D2951	RU4B-F1	SI. DIODE	
D2953-54	BYW95B-20	SI. DIODE	
D2955	FMX-G12S	SI. DIODE	
D2956-57	FMB-G16L	SI. DIODE	
D2958	1SR35-400A-T2	SI. DIODE	
D2963	MTZJ3.9B-T2	ZENER DIODE	
D2964	MTZJ33B-T2	ZENER DIODE	
D2981	1SS133-T2	SI. DIODE	
D2982	1SS133-T2	SI. DIODE	
D2983	1SS133-T2	SI. DIODE	
D2985	MTZJ7.5C-T2	ZENER DIODE	
<b>TRANSISTOR</b>			
Q2402	2SC1740S/QR/-T	SI. TRANSISTOR	
Q2461	2SD1408/OY/-LB	SI. TRANSISTOR	
Q2462-63	2SA933AS/QR/-T	SI. TRANSISTOR	
Q2501	BSN304-T	F. E. T.	
△ Q2521	2SD2553-LB	SI. TRANSISTOR	H. OUT
Q2541-42	DTC124ESA-T	DI. TRANSISTOR	
Q2543	1RF620	F. E. T.	
Q2544-45	2SK2459N-F54	F. E. T.	
Q2546	DTC124ESA-T	DI. TRANSISTOR	
Q2591	2SA949/Y/Z1-T	SI. TRANSISTOR	
Q2592	DTC124ESA-T	DI. TRANSISTOR	
Q2593	2SC1740S/QR/-T	SI. TRANSISTOR	
Q2931-32	2SC1740S/QR/-T	SI. TRANSISTOR	
Q2933	2SC2655/Y/-T	SI. TRANSISTOR	
<b>I.C.</b>			
△ IC2401	LA7841	I. C. (MONO-ANA)	
IC2901	STR-F6667B/F7	I. C. (HYBRID)	
IC2951	SE140N	I. C. (HYBRID)	
IC2952	BA12T	I. C. (MONO-ANA)	
IC2953	BA17809T	I. C. (MONO-ANA)	
IC2954	BA05T	I. C. (MONO-ANA)	
<b>OTHERS</b>			
△ CP2953	1CP-N75-Y	I. C. PROTECT	
△ CP2954	QMFZ034-4RQZ-J1	FUSE	4.0A
△ CP2955	QMFZ034-4RQZ-J1	FUSE	4.0A
△ CP2956	1CP-N10-Y	I. C. PROTECT	
△ CP2957	1CP-N5-Y	I. C. PROTECT	
K2401	CE41433-001Z	BEADS CORE	
K2503-04	QQR0582-001Z	BEADS CORE	
K2901	QQR0679-001	FERRITE BEADS	
K2904	QQR0679-001	FERRITE BEADS	
K2951	QQR0872-001Y	FERRITE BEADS	
K2952	CE41433-001Z	BEADS CORE	
K2953	CE41433-001Z	BEADS CORE	
K2954	CE41433-001Z	BEADS CORE	
△ PC2541	PC123F2	I. C. (PH. COUPLER)	
△ PC2542	PC123F2	I. C. (PH. COUPLER)	
△ PC2901	TLP721F(D4-GR)	I. C. (PH. COUPLER)	
△ RY2931	OSK0099-001	RELAY	
△ TH2901	QAD0120-9R0	W. P. THERMISTOR	

**CRT SOCKET PW BOARD ASS'Y (SJK-3503A-H3)**

△ Symbol No.	Part No.	Part Name	Description
<b>RESI STOR</b>			
R3101-03	NRSA02J-101X	MG R	100Ω 1/10W J
R3107	NRSA02J-392X	MG R	3.9kΩ 1/10W J
R3108	NRSA02J-392X	MG R	3.9kΩ 1/10W J
R3109	NRSA02J-392X	MG R	3.9kΩ 1/10W J
R3110-12	NRSA02J-221X	MG R	220Ω 1/10W J
R3113-15	NRSA02J-470X	MG R	47Ω 1/10W J
R3116-18	QRL029J-153	OM R	15kΩ 2W J
R3119-21	QRL029J-183	OM R	18kΩ 2W J
R3125-27	QRZ0107-102Z	C R	1kΩ 1/2W K
R3130	QRG01GJ-101	OM R	100Ω 1W J
R3135	QRZ0107-474Z	C R	470kΩ 1/2W K
R3136	QRE121J-474Y	C R	470kΩ 1/2W J
R3137	QRZ0107-102Z	C R	1kΩ 1/2W K
R3138	QRE121J-105Y	C R	1MΩ 1/2W J
R3151	NRSA02J-102X	MG R	1kΩ 1/10W J
R3152	NRSA02J-472X	MG R	4.7kΩ 1/10W J
R3154	NRSA02J-0ROX	MG R	0.0Ω 1/10W J
R3303	NRSA02J-101X	MG R	100Ω 1/10W J
R3312	NRSA02J-153X	MG R	15kΩ 1/10W J
R3313	NRSA02J-152X	MG R	1.5kΩ 1/10W J
R3314	NRSA02J-331X	MG R	330Ω 1/10W J
R3315	NRSA02J-101X	MG R	100Ω 1/10W J
R3316	NRSA02J-222X	MG R	2.2kΩ 1/10W J
R3317	NRSA02J-470X	MG R	47Ω 1/10W J
△ R3318	QRJ146J-100X	C R	10Ω 1/4W J
R3319	NRSA02J-470X	MG R	47Ω 1/10W J
R3320	NRSA02J-122X	MG R	1.2kΩ 1/10W J
R3321	NRSA02J-390X	MG R	39Ω 1/10W J
R3322	QRE121J-2R7Y	C R	2.7Ω 1/2W J
R3323-24	QRE121J-563Y	C R	56kΩ 1/2W J
R3325	NRSA02J-122X	MG R	1.2kΩ 1/10W J
R3326	QRE121J-2R7Y	C R	2.7Ω 1/2W J
R3327	NRSA02J-390X	MG R	39Ω 1/10W J
R3328	NRSA02J-121X	MG R	120Ω 1/10W J
R3329	QRL029J-391	OM R	390Ω 2W J
<b>CAPACI TOR</b>			
C3101-03	NDC21HJ-391X	C CAP.	390pF 50V J
C3104	QETN1CM-107Z	E CAP.	100μF 16V M
C3105	QETN1EM-476Z	E CAP.	47μF 25V M
C3107	QETN1HM-106Z	E CAP.	10μF 50V M
C3113	QCZ0131-22Z	C CAP.	2200pF 2KV K
C3114	QETN2EM-336	E CAP.	33μF 250V M
C3115	QETN2EM-106	E CAP.	10μF 250V M
C3116	NDC21HJ-471X	C CAP.	470pF 50V J
C3304	NCB21HK-103X	C CAP.	0.01μF 50V K
C3305	QETN1HM-335Z	E CAP.	3.3μF 50V M
C3306	QETN1CM-107Z	E CAP.	100μF 16V M
C3307	NDC21HJ-5R0X	C CAP.	5.0pF 50V J
C3308	QETN2CM-106Z	E CAP.	10μF 160V M
C3309	QCB32HK-472Z	C CAP.	4700pF 500V K
C3310	QETN2CM-106Z	E CAP.	10μF 160V M
C3311	NCB21HK-821X	C CAP.	820pF 50V K
C3312	QCB32HK-472Z	C CAP.	4700pF 500V K
C3313	NCB21HK-561X	C CAP.	560pF 50V K
C3314	QETN1CM-107Z	E CAP.	100μF 16V M
C3315	QCS32HJ-680Z	C CAP.	68pF 500V J
C3316	QETN1CM-107Z	E CAP.	100μF 16V M
C3317	QETN1AM-337Z	E CAP.	330μF 10V M
<b>COI L</b>			
L3301	QQL244J-391Z	PEAKING COI L	
<b>DI ODE</b>			
D3151	MA111-X	SI. DI ODE	
D3152	MA3082/L/-X	ZENER DI ODE	
D3153-55	MA111-X	SI. DI ODE	
D3156	MA3047/H/-X	ZENER DI ODE	
D3163	MA3150/M/-X	ZENER DI ODE	
D3164	1SR35-400A-T2	SI. DI ODE	
D3302	RH1S-T3	SI. DI ODE	
D3303	RH1S-T3	SI. DI ODE	

△ Symbol No.	Part No.	Part Name	Description
<b>TRANSI STOR</b>			
Q3101-03	2SC1740S/OR/-T	SI. TRANSI STOR	
Q3104-06	2SC4544-LB	SI. TRANSI STOR	
Q3151	2SA1037AK/OR/-X	SI. TRANSI STOR	
Q3152	2SC4682-T	SI. TRANSI STOR	
Q3304-05	2SC1740S/OR/-T	SI. TRANSI STOR	
Q3306	2SA933AS/OR/-T	SI. TRANSI STOR	
Q3307	2SA1837	SI. TRANSI STOR	
Q3308	2SC4793	SI. TRANSI STOR	
<b>OTHERS</b>			
△ FR3330	QRZ9021-561	FR	560Ω 1W J
K3101	CE41433-001Z	BEADS CORE	
K3301-04	CE41492-001Z	CHOKE COI L	
△ SK3001	CE42670-001	C. R. T. SOCKET	
<b>FRONT CONTROL PW BOARD ASS'Y (SJK-8506A-H3)</b>			
△ Symbol No.	Part No.	Part Name	Description
<b>RESI STOR</b>			
R8301	NRSA02J-750X	MG R	75Ω 1/10W J
R8801-02	NRSA02J-561X	MG R	560Ω 1/10W J
R8804	NRSA02J-102X	MG R	1kΩ 1/10W J
R8805	NRSA02J-102X	MG R	1kΩ 1/10W J
R8806	NRSA02J-102X	MG R	1kΩ 1/10W J
R8807-09	NRSA02J-103X	MG R	10kΩ 1/10W J
R8810-11	QRE121J-101Y	C R	100Ω 1/2W J
R8812	NRSA02J-102X	MG R	1kΩ 1/10W J
R8813	NRSA02J-102X	MG R	1kΩ 1/10W J
R8814	NRSA02J-103X	MG R	10kΩ 1/10W J
R8815-16	NRSA02J-471X	MG R	470Ω 1/10W J
R8851	NRSA02J-682X	MG R	6.8kΩ 1/10W J
R8861	NRSA02J-562X	MG R	5.6kΩ 1/10W J
R8863	NRSA02J-472X	MG R	4.7kΩ 1/10W J
R8864	NRSA02J-222X	MG R	2.2kΩ 1/10W J
<b>CAPACI TOR</b>			
C8301-02	NCB21HK-472X	C CAP.	4700pF 50V K
C8303	NRSA02J-0ROX	MG R	0.0Ω 1/10W J
C8801-02	NCB21HK-104X	CHI P. CAP.	0.1μF 50V K
C8803-04	QETN1HM-106Z	E CAP.	10μF 50V M
C8805	NCB21HK-103X	C CAP.	0.01μF 50V K
C8851	NCB21EK-104X	C CAP.	0.1μF 25V K
C8852	QETN1CM-107Z	E CAP.	100μF 16V M
C8861	QETN1HM-106Z	E CAP.	10μF 50V M
△ C8901	QFZ9040-474	MF CAP	0.47μFAC275V M
<b>COI L</b>			
L8301	QQL211K-270Y	COI L	27μH K
L8302	QQR0716-001Z	LEAD CORE	
L8303	QQL211K-270Y	COI L	27μH K
L8801-02	QQL211K-5R6Y	COI L	5.6μH K
L8803	QQR0716-001Z	LEAD CORE	
<b>DI ODE</b>			
D8801	SPR-39MWF	L. E. D.	
D8802	SLR-342YY-T16	L. E. D. (YLW)	
D8803	SLR-342DU-T16	L. E. D. (ORG)	
D8804	SLR-342MG-T16	L. E. D. (GRN)	
D8805	MA111-X	SI. DI ODE	
D8806-07	MA3150/M/-X	ZENER DI ODE	
D8851	MA3068/M/-X	ZENER DI ODE	
D8861	MA111-X	SI. DI ODE	
D8862	P1241-04	C. D. S.	

△ Symbol No. Part No. Part Name Description

**TRANSISTOR**

Q8801-02	DTA124EKA-X	DI G. TRANSISTOR	
Q8803	2SA1037AK/OR/-X	SI. TRANSISTOR	
Q8804	DTCT24EKA-X	DI G. TRANSISTOR	
Q8805	2SA1037AK/OR/-X	SI. TRANSISTOR	
Q8861	2SA1037AK/OR/-X	SI. TRANSISTOR	

**IC**

IC8851	GPU281Q	IFR DETECT UNIT	
--------	---------	-----------------	--

**OTHERS**

△ F8901	QMF51D2-3R15J1	FUSE	3.15A
J8301	QNZ0453-001	AV JACK	
J8801	QMS3004-C01	HEADPHONE JACK	
△ LF8901	QQR1095-001	LINE FILTER	
△ LF8902	QQR1095-001	LINE FILTER	
S8801-03	QSW0619-003Z	PUSH SWITCH	VR Δ(UP) ▽(DOWN)
△ S8901	QSW0824-001	PUSH SWITCH	MAIN POWER

**DOLBY PW BOARD ASS'Y (SJK0D501A-H3)**

△ Symbol No. Part No. Part Name Description

**RESISTOR**

R0101	NRSA02J-223X	MG R	22kΩ 1/10W J
R0102	NRSA02J-683X	MG R	68kΩ 1/10W J
R0103	NRSA02J-223X	MG R	22kΩ 1/10W J
R0104	NRSA02J-683X	MG R	68kΩ 1/10W J
R0105	NRSA02J-105X	MG R	1MΩ 1/10W J
R0106-09	NRSA02J-271X	MG R	270Ω 1/10W J
R0111	NRSA02J-102X	MG R	1kΩ 1/10W J
R0112	NRSA02J-OROX	MG R	0.0Ω 1/10W J
R0113	NRSA02J-102X	MG R	1kΩ 1/10W J
R0114	NRSA02J-OROX	MG R	0.0Ω 1/10W J
R0115	NRSA02J-102X	MG R	1kΩ 1/10W J
R0117	NRSA02J-OROX	MG R	0.0Ω 1/10W J
R0202	NRSA02J-OROX	MG R	0.0Ω 1/10W J
R0203	NRSA02J-OROX	MG R	0.0Ω 1/10W J
R0206	NRSA02J-OROX	MG R	0.0Ω 1/10W J
R0207	NRSA02J-OROX	MG R	0.0Ω 1/10W J
R0209	NRSA02J-123X	MG R	12kΩ 1/10W J
R0211	NRSA02J-123X	MG R	12kΩ 1/10W J
R0212	NRSA02J-103X	MG R	10kΩ 1/10W J
R0214-15	NRSA02J-104X	MG R	100kΩ 1/10W J
R0216	NRSA02J-103X	MG R	10kΩ 1/10W J
R0217	NRSA02J-123X	MG R	12kΩ 1/10W J
R0219	NRSA02J-123X	MG R	12kΩ 1/10W J
R0221	NRSA02J-104X	MG R	100kΩ 1/10W J
R0222	NRSA02J-103X	MG R	10kΩ 1/10W J
R0223	NRSA02J-153X	MG R	15kΩ 1/10W J
R0225	NRSA02J-273X	MG R	27kΩ 1/10W J
R0227	NRSA02J-104X	MG R	100kΩ 1/10W J
R0228	NRSA02J-153X	MG R	15kΩ 1/10W J
R0229	NRSA02J-273X	MG R	27kΩ 1/10W J
R0231	NRSA02J-103X	MG R	10kΩ 1/10W J
R0232	NRSA02J-122X	MG R	1.2kΩ 1/10W J
R0301	NRSA02J-103X	MG R	10kΩ 1/10W J
R0401	NRSA02J-102X	MG R	1kΩ 1/10W J
R0402-03	NRSA02J-562X	MG R	5.6kΩ 1/10W J
R0404	NRSA02J-102X	MG R	1kΩ 1/10W J

△ Symbol No. Part No. Part Name Description

**RESISTOR**

R0431	NRSA02J-102X	MG R	1kΩ 1/10W J
R0432-33	NRSA02J-562X	MG R	5.6kΩ 1/10W J
R0434	NRSA02J-102X	MG R	1kΩ 1/10W J
R0435	NRSA02J-101X	MG R	100Ω 1/10W J
R0436	NRSA02J-223X	MG R	22kΩ 1/10W J
R0437	NRSA02J-333X	MG R	33kΩ 1/10W J
R0438	NRSA02J-183X	MG R	18kΩ 1/10W J
R0439	NRSA02J-223X	MG R	22kΩ 1/10W J
R0440-41	NRSA02J-103X	MG R	10kΩ 1/10W J
R0446	NRSA02J-101X	MG R	100Ω 1/10W J
R0447	NRSA02J-OROX	MG R	0.0Ω 1/10W J
R0501	NRSA02J-273X	MG R	27kΩ 1/10W J
R0502	NRSA02J-153X	MG R	15kΩ 1/10W J
R0503	NRSA02J-103X	MG R	10kΩ 1/10W J
R0504	NRSA02J-104X	MG R	100kΩ 1/10W J
R0505	NRSA02J-153X	MG R	15kΩ 1/10W J
R0506	NRSA02J-122X	MG R	1.2kΩ 1/10W J
R0507	NRSA02J-273X	MG R	27kΩ 1/10W J
R0508	NRSA02J-103X	MG R	10kΩ 1/10W J
R0509	NRSA02J-104X	MG R	100kΩ 1/10W J
R0510-11	NRSA02J-681X	MG R	680Ω 1/10W J
R0514	NRSA02J-104X	MG R	100kΩ 1/10W J
R0516-17	NRSA02J-103X	MG R	10kΩ 1/10W J
R0551	NRSA02J-223X	MG R	22kΩ 1/10W J
R0552	NRSA02J-183X	MG R	18kΩ 1/10W J
R0556	NRSA02J-223X	MG R	22kΩ 1/10W J
R0557	NRSA02J-183X	MG R	18kΩ 1/10W J
R0558	NRSA02J-103X	MG R	10kΩ 1/10W J
R0560	NRSA02J-103X	MG R	10kΩ 1/10W J
R0563	NRSA02J-OROX	MG R	0.0Ω 1/10W J
R0564	NRSA02J-OROX	MG R	0.0Ω 1/10W J
R0565	NRSA02J-103X	MG R	10kΩ 1/10W J
R0566	NRSA02J-OROX	MG R	0.0Ω 1/10W J
R0569	NRSA02J-OROX	MG R	0.0Ω 1/10W J
R0571	NRSA02J-OROX	MG R	0.0Ω 1/10W J
R0572	NRSA02J-OROX	MG R	0.0Ω 1/10W J
C0101	NCF21EZ-104X	C CAP.	0.1μF 25V Z
C0103	NDC21HJ-221X	C CAP.	220pF 50V J
C0104	NEH71HM-475X	E CAP.	4.7μF 50V M
C0105	NCF21EZ-104X	C CAP.	0.1μF 25V Z
C0106-08	NEH71CM-476X	E CAP.	47μF 16V M
C0109	NEH71HM-475X	E CAP.	4.7μF 50V M
C0110	NDC21HJ-221X	C CAP.	220pF 50V J
C0111-12	NDC21HJ-100X	C CAP.	10pF 50V J
C0114-15	NEH71CM-476X	E CAP.	47μF 16V M
C0116	NCF21EZ-104X	C CAP.	0.1μF 25V Z
C0117-19	NEH71CM-476X	E CAP.	47μF 16V M
C0120	NCF21EZ-104X	C CAP.	0.1μF 25V Z
C0121-22	NEH71CM-476X	E CAP.	47μF 16V M
C0123	NCF21EZ-104X	C CAP.	0.1μF 25V Z
C0124-27	NDC21HJ-221X	C CAP.	220pF 50V J
C0128	NEH71CM-476X	E CAP.	47μF 16V M
C0129-33	NCF21EZ-104X	C CAP.	0.1μF 25V Z
C0134	NEHE1CM-227X	E CAP.	220μF 16V M
C0135	NCF21EZ-104X	C CAP.	0.1μF 25V Z
C0137	NEHE1EM-107X	E CAP.	100μF 25V M
C0138	NEH71CM-476X	E CAP.	47μF 16V M
C0139	NEHE1CM-227X	E CAP.	220μF 16V M
C0142	NCF21EZ-104X	C CAP.	0.1μF 25V Z
C0144-45	NCF21EZ-104X	C CAP.	0.1μF 25V Z
C0146	NEHE1EM-107X	E CAP.	100μF 25V M
C0147	NCB21HK-102X	C CAP.	1000pF 50V K
C0148-49	NCB21HK-222X	C CAP.	2200pF 50V K
C0150	NEH71CM-106X	E CAP.	10μF 16V M
C0151	NCF21EZ-104X	C CAP.	0.1μF 25V Z
C0201-2	NRSA02J-OROX	MG R	0.0Ω 1/10W J
C0204-5	NRSA02J-OROX	MG R	0.0Ω 1/10W J

**CAPACITOR**

△ Symbol No. Part No. Part Name Description

**CAPACITOR**

C0208	NCF21CZ-105X	C CAP.	1μF	16V	Z
C0209	NDC21HJ-470X	C CAP.	47pF	50V	J
C0212	NDC21HJ-470X	C CAP.	47pF	50V	J
C0213	NCF21CZ-105X	C CAP.	1μF	16V	Z
C0214	NEHE1EM-107X	E CAP.	1000μF	25V	M
C0217	NCF21CZ-105X	C CAP.	1μF	16V	Z
C0218	NDC21HJ-470X	C CAP.	47pF	50V	J
C0219	NCF21CZ-105X	C CAP.	1μF	16V	Z
C0220	NDC21HJ-470X	C CAP.	47pF	50V	J
C0223-24	NEH71CM-476X	E CAP.	47μF	16V	M
C0301	NEH71CM-476X	E CAP.	47μF	16V	M
C0401	NEH71EM-226X	E CAP.	22μF	25V	M
C0402	NEH71CM-476X	E CAP.	47μF	16V	M
C0403-04	NCB21HK-272X	C CAP.	2700pF	50V	K
C0405-06	NCF21CZ-105X	C CAP.	1μF	16V	Z
C0407-10	NCF21EZ-104X	C CAP.	0.1μF	25V	Z
C0431	NEH71EM-226X	E CAP.	22μF	25V	M
C0432	NEHE1CM-227X	E CAP.	220μF	16V	M
C0433-34	NCB21HK-272X	C CAP.	2700pF	50V	K
C0435	NCF21CZ-105X	C CAP.	1μF	16V	Z
C0436-39	NCF21EZ-104X	C CAP.	0.1μF	25V	Z
C0440-42	NCF21CZ-105X	C CAP.	1μF	16V	Z
C0443	NCB21HK-821X	C CAP.	820pF	50V	K
C0444	NDC21HJ-470X	C CAP.	47pF	50V	J
C0445	NEH71CM-476X	E CAP.	47μF	16V	M
C0446	NCF21CZ-105X	C CAP.	1μF	16V	Z
C0501-02	NCF21CZ-105X	C CAP.	1μF	16V	Z
C0503-04	NDC21HJ-100X	C CAP.	10pF	50V	J
C0505	NEH71CM-476X	E CAP.	47μF	16V	M
C0506-07	NEH71HM-106X	E CAP.	10μF	50V	M
C0508	NEH71CM-476X	E CAP.	47μF	16V	M
C0551	NCB21HK-332X	C CAP.	3300pF	50V	K
C0552	NCB21HK-393X	C CAP.	0.039μF	50V	K
C0554	NCF21CZ-105X	C CAP.	1μF	16V	Z
C0555	NEH71CM-106X	E CAP.	10μF	16V	M
C0556	NEH71CM-476X	E CAP.	47μF	16V	M
C0557	NCF21EZ-104X	C CAP.	0.1μF	25V	Z
C0558	NCB21HK-332X	C CAP.	3300pF	50V	K
C0559	NCB21HK-393X	C CAP.	0.039μF	50V	K
C0560	NCF21CZ-105X	C CAP.	1μF	16V	Z
C0562	NEH71CM-476X	E CAP.	47μF	16V	M
C0563	NEH71CM-106X	E CAP.	10μF	16V	M
C0566	NRSA02J-OROX	MG R	0.002	1/10W	J
C0567	NRSA02J-OROX	MG R	0.002	1/10W	J
C0701-02	NCB21HK-222X	C CAP.	2200pF	50V	K

**COIL**

L0101-04	NQLO2BJ-4R7X	COIL	4.7μH		
L0701-02	NQLO2BJ-100X	COIL	10μH		

**DIODE**

D0202	MA3062/M/-X	ZENER DIODE			
D0501-02	MA3150/M/-X	ZENER DIODE			
D0503	MA3062/M/-X	ZENER DIODE			

**TRANSISTOR**

Q0301	DTC124EKA-X	DI GI. TRANSISTOR			
Q0501	2SA1037AK/QR/-X	SI. TRANSISTOR			
Q0502-03	DTC323TK-X	DI GI. TRANSISTOR			

△ Symbol No. Part No. Part Name Description

**IC**

IC0101	TC9471F	I. C. (DI GI -MOS)			
IC0102	MN1382/Q/-X	I. C. (MONO-ANA)			
IC0202-03	BA4558F-X	I. C. (MONO-ANA)			
IC0301	TC4052BF/N/-XE	I. C. (DI GI -MOS)			
IC0401	TDA7315D	I. C. (DI GI -OTHER)			
IC0431	TDA7315D	I. C. (DI GI -OTHER)			
IC0451	BA4558F-X	I. C. (MONO-ANA)			
IC0501	BA4558F-X	I. C. (MONO-ANA)			
IC0551	NJM2150AM-X	I. C. (MONO-ANA)			

**OTHERS**

J0001	QNN0294-001	PIN JACK			
J0002	QNB0006-002	PUSH TERMINAL			
X0101	NAX0288-001X	CRYSTAL			

**AV SEL. PW BOARD ASS'Y (SJK0S905A-H3)**

△ Symbol No. Part No. Part Name Description

**RESISTOR**

R0101-08	NRSA02J-750X	MG R		75Ω	1/10W J
R0110	NRSA02J-823X	MG R		82kΩ	1/10W J
R0112	NRSA02J-823X	MG R		82kΩ	1/10W J
R0113	NRSA02J-750X	MG R		75Ω	1/10W J
R0114	NRSA02J-473X	MG R		47kΩ	1/10W J
△ R0115	NRSA02J-223X	MG R		22kΩ	1/10W J
△ R0116	NRSA02J-223X	MG R		22kΩ	1/10W J
R0117-18	NRSA02J-823X	MG R		82kΩ	1/10W J
R0119-20	NRSA02J-391X	MG R		390Ω	1/10W J
R0123	NRSA02J-104X	MG R		100kΩ	1/10W J
R0124-25	NRSA02J-101X	MG R		100Ω	1/10W J
R0126	NRSA02J-333X	MG R		33kΩ	1/10W J
R0127	NRSA02J-101X	MG R		100Ω	1/10W J
R0128	NRSA02J-103X	MG R		10kΩ	1/10W J
R0129	NRSA02J-823X	MG R		82kΩ	1/10W J
R0130	NRSA02J-473X	MG R		47kΩ	1/10W J
R0131	NRSA02J-273X	MG R		27kΩ	1/10W J
R0132	NRSA02J-153X	MG R		15kΩ	1/10W J
R0133	NRSA02J-222X	MG R		2.2kΩ	1/10W J
R0134	NRSA02J-333X	MG R		33kΩ	1/10W J
R0135	NRSA02J-222X	MG R		2.2kΩ	1/10W J
R0136-37	NRSA02J-333X	MG R		33kΩ	1/10W J
R0138	NRSA02J-473X	MG R		47kΩ	1/10W J
R0139	NRSA02J-823X	MG R		82kΩ	1/10W J
R0140	NRSA02J-103X	MG R		10kΩ	1/10W J
R0141	NRSA02J-153X	MG R		15kΩ	1/10W J
△ R0142	NRSA02J-223X	MG R		22kΩ	1/10W J
R0143	NRSA02J-473X	MG R		47kΩ	1/10W J
R0144	NRSA02J-273X	MG R		27kΩ	1/10W J
R0146	NRSA02J-391X	MG R		390Ω	1/10W J
R0148	NRSA02J-391X	MG R		390Ω	1/10W J
R0151	NRSA02J-104X	MG R		100kΩ	1/10W J
R0152	NRSA02J-222X	MG R		2.2kΩ	1/10W J
R0153	NRSA02J-333X	MG R		33kΩ	1/10W J
R0154	NRSA02J-222X	MG R		2.2kΩ	1/10W J
R0155	NRSA02J-333X	MG R		33kΩ	1/10W J
R0156-69	NRSA02J-101X	MG R		100Ω	1/10W J
R0170	NRSA02J-333X	MG R		33kΩ	1/10W J
R0171	NRSA02J-222X	MG R		2.2kΩ	1/10W J
R0172	NRSA02J-473X	MG R		47kΩ	1/10W J

△ Symbol No.	Part No.	Part Name	Description
<b>RESISTOR</b>			
R0173	NRSA02J-823X	MG R	82kΩ 1/10W J
R0174	NRSA02J-103X	MG R	10kΩ 1/10W J
R0175	NRSA02J-153X	MG R	15kΩ 1/10W J
R0176	NRSA02J-473X	MG R	47kΩ 1/10W J
R0177	NRSA02J-273X	MG R	27kΩ 1/10W J
R0180-83	NRSA02J-101X	MG R	100Ω 1/10W J
R0184	NRSA02J-333X	MG R	33kΩ 1/10W J
R0185	NRSA02J-222X	MG R	2.2kΩ 1/10W J
R0186	NRSA02J-333X	MG R	33kΩ 1/10W J
R0188	NRSA02J-101X	MG R	100Ω 1/10W J
R0189-90	NRSA02J-221X	MG R	220Ω 1/10W J
R0191-92	NRSA02J-562X	MG R	5.6kΩ 1/10W J
△ R0193	NRSA02J-102X	MG R	1kΩ 1/10W J
△ R0194	NRSA02J-102X	MG R	1kΩ 1/10W J
R0195	QRG01GJ-101	OM R	100Ω 1W J
△ R0197	QRK126J-181X	C R	180Ω 1/2W J
R0198	NRSA02J-750X	MG R	75Ω 1/10W J
R0199	NRSA02J-101X	MG R	100Ω 1/10W J
△ R0202	QRK126J-151X	C R	150Ω 1/2W J
R0203-05	NRSA02J-750X	MG R	75Ω 1/10W J
R0207	NRSA02J-222X	MG R	2.2kΩ 1/10W J
R0208	NRSA02J-333X	MG R	33kΩ 1/10W J
R0209	NRSA02J-222X	MG R	2.2kΩ 1/10W J
R0210	NRSA02J-333X	MG R	33kΩ 1/10W J
R0211-12	NRSA02J-103X	MG R	10kΩ 1/10W J
R0301	NRSA02J-103X	MG R	10kΩ 1/10W J
R0302	NRSA02J-562X	MG R	5.6kΩ 1/10W J
R0303-04	NRSA02J-222X	MG R	2.2kΩ 1/10W J
R0305	NRSA02J-103X	MG R	10kΩ 1/10W J
R0309	NRSA02J-562X	MG R	5.6kΩ 1/10W J
△ R0310	NRSA02J-392X	MG R	3.9kΩ 1/10W J
R0313	NRSA02J-101X	MG R	100Ω 1/10W J
R0314	NRSA02J-473X	MG R	47kΩ 1/10W J
△ R0315	NRSA02J-102X	MG R	1kΩ 1/10W J
R0316	NRSA02J-122X	MG R	1.2kΩ 1/10W J
R0317	NRSA02J-273X	MG R	27kΩ 1/10W J
△ R0318	NRSA02J-102X	MG R	1kΩ 1/10W J
△ R0319	NRSA02J-102X	MG R	1kΩ 1/10W J
R0320	NRSA02J-473X	MG R	47kΩ 1/10W J
R0321	NRSA02J-101X	MG R	100Ω 1/10W J
R0322	NRSA02J-273X	MG R	27kΩ 1/10W J
R0323	NRSA02J-122X	MG R	1.2kΩ 1/10W J
△ R0324	NRSA02J-102X	MG R	1kΩ 1/10W J
△ R0325	NRSA02J-682X	MG R	6.8kΩ 1/10W J
△ R0603	NRSA02J-102X	MG R	1kΩ 1/10W J
R0606	QRG01GJ-181	OM R	180Ω 1W J
R0607	NRSA02J-123X	MG R	12kΩ 1/10W J
R0608	NRSA02J-181X	MG R	180Ω 1/10W J
R0609	NRSA02J-123X	MG R	12kΩ 1/10W J
R0610	NRSA02J-561X	MG R	560Ω 1/10W J
△ R0628	NRSA02J-0R0X	MG R	0.0Ω 1/10W J
R0629-30	NRSA02J-101X	MG R	100Ω 1/10W J

Symbol No.	Part No.	Part Name	Description
<b>CAPACITOR</b>			
C0101	NCB21HK-152X	C CAP.	1500pF 50V K
C0102	QETN1CM-477Z	E CAP.	470μF 16V M
C0103-05	QETN1HM-106Z	E CAP.	10μF 50V M
C0106-09	NCB21HK-152X	C CAP.	1500pF 50V K
C0110	QETN1CM-477Z	E CAP.	470μF 16V M
C0111-15	NCB21HK-152X	C CAP.	1500pF 50V K
C0116-17	QETN1HM-106Z	E CAP.	10μF 50V M
C0118	NCB21HK-102X	C CAP.	1000pF 50V K
C0119	QETN1HM-105Z	E CAP.	1μF 50V M
C0120	QETN1HM-106Z	E CAP.	10μF 50V M
C0121	QETN1HM-105Z	E CAP.	1μF 50V M
C0122	NCB21HK-103X	C CAP.	0.01μF 50V K
C0123	NCB21HK-102X	C CAP.	1000pF 50V K
C0124-25	QETN1HM-106Z	E CAP.	10μF 50V M
C0126	QETN1HM-105Z	E CAP.	1μF 50V M
C0127	QETN1HM-106Z	E CAP.	10μF 50V M

△ Symbol No.	Part No.	Part Name	Description
<b>CAPACITOR</b>			
C0128	QETN1HM-105Z	E CAP.	1μF 50V M
C0129	QETN1HM-106Z	E CAP.	10μF 50V M
C0130	QETN1HM-105Z	E CAP.	1μF 50V M
C0131	NCB21HK-102X	C CAP.	1000pF 50V K
C0132	QETN1HM-105Z	E CAP.	1μF 50V M
C0133	NCB21HK-103X	C CAP.	0.01μF 50V K
C0136	QETN1HM-106Z	E CAP.	10μF 50V M
C0137	QENC1EM-106Z	BP E CAP.	10μF 25V M
C0139	QENC1EM-106Z	BP E CAP.	10μF 25V M
C0140	QETN1CM-107Z	E CAP.	100μF 16V M
C0141	NCB21HK-103X	C CAP.	0.01μF 50V K
C0142	NCF21CZ-105X	C CAP.	1μF 50V Z
C0143	QENC1EM-106Z	BP E CAP.	10μF 25V M
C0144	NCF21CZ-105X	C CAP.	1μF 16V Z
C0145-46	QETN1CM-107Z	E CAP.	100μF 16V M
C0147	QETN1CM-477Z	E CAP.	470μF 16V M
C0149	NCB21HK-103X	C CAP.	0.01μF 50V K
C0150-51	QETN1HM-106Z	E CAP.	10μF 50V M
C0152-53	QETN1HM-105Z	E CAP.	1μF 50V M
C0154-55	NDC21HJ-680X	C CAP.	680pF 50V J
C0156	NCB21HK-103X	C CAP.	0.01μF 50V K
C0157-58	NDC21HJ-680X	C CAP.	680pF 50V J
C0159	NDC21HJ-561X	C CAP.	560pF 50V J
C0301	NDC21HJ-271X	C CAP.	270pF 50V J
C0306-07	NCB21EK-104X	C CAP.	0.1μF 25V K
C0308	NCB21HK-103X	C CAP.	0.01μF 50V K
C0310-11	QETN1HM-106Z	E CAP.	10μF 50V M
C0312	NCB21HK-103X	C CAP.	0.01μF 50V K
C0313	NCB21EK-104X	C CAP.	0.1μF 25V K
C0610	NDC21HJ-821X	C CAP.	820pF 50V J
C0611-12	NDC21HJ-470X	C CAP.	47pF 50V J
C0614	NDC21HJ-180X	C CAP.	18pF 50V J
C0616	QETN1CM-107Z	E CAP.	100μF 16V M
C0617	NCB21EK-104X	C CAP.	0.1μF 25V K
C0618	QETN1HM-106Z	E CAP.	10μF 50V M
C0619	NCB21EK-104X	C CAP.	0.1μF 25V K
C0620	QETN1HM-106Z	E CAP.	10μF 50V M
C0623	NCB21EK-104X	C CAP.	0.1μF 25V K
C0624	QETN1HM-106Z	E CAP.	10μF 50V M
C0629	QETN1HM-106Z	E CAP.	10μF 50V M
C0630-31	NCB21HK-102X	C CAP.	1000pF 50V K
C0632	NCB21EK-104X	C CAP.	0.1μF 25V K
C0633	QETN1HM-106Z	E CAP.	10μF 50V M
C0634-35	NCB21HK-103X	C CAP.	0.01μF 50V K
C0636	NDC21HJ-2R0X	C CAP.	2.0pF 50V J
C0642	NDC21HJ-2R0X	C CAP.	2.0pF 50V J
C0645	NCB21HK-103X	C CAP.	0.01μF 50V K
C0646	NCB21EK-104X	C CAP.	0.1μF 25V K
C0647	QETN1CM-107Z	E CAP.	100μF 16V M
C0648	NCB21EK-104X	C CAP.	0.1μF 25V K

Symbol No.	Part No.	Part Name	Description
<b>COIL</b>			
L0114	QOR0716-001Z	LEAD CORE	
L0301	QQL01BK-221Z	PEAKING COIL	
L0601	QQL01BK-220Z	PEAKING COIL	
L0602	QQL01BK-180Z	COIL	18μH K
L0605	QQL01BK-4R7Z	COIL	4.7μH K

Symbol No.	Part No.	Part Name	Description
<b>DIODE</b>			
D0101-13	MA3120/M/-X	ZENER DIODE	
D0601	R08.2E/B2/-T2	ZENER DIODE	

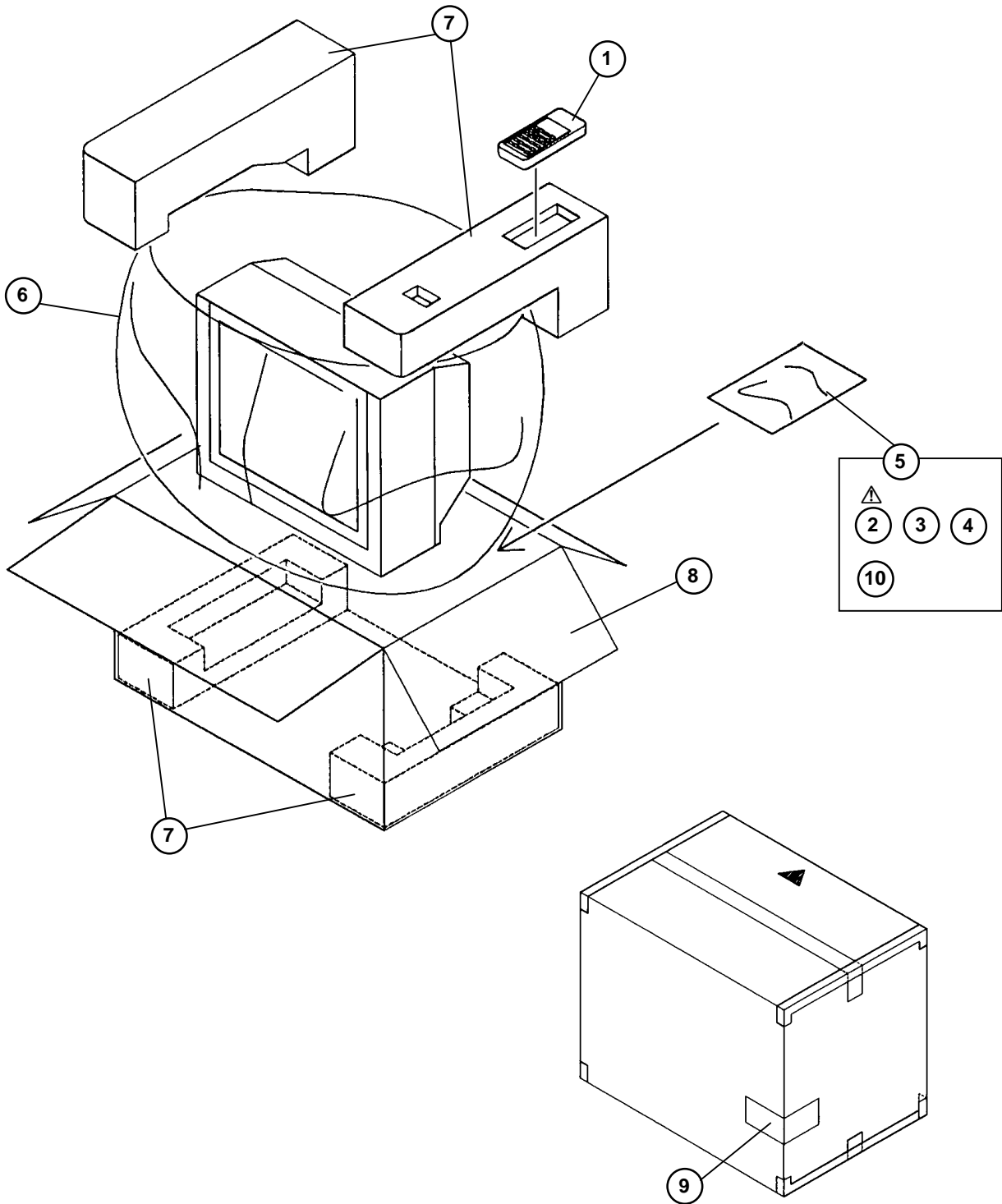
Symbol No.	Part No.	Part Name	Description
<b>TRANSISTOR</b>			
Q0101	DTC323TK-X	DI G. TRANSISTOR	
Q0102	2SA1037AK/QR/-X	SI. TRANSISTOR	
Q0103	DTC323TK-X	DI G. TRANSISTOR	
Q0104-07	2SC2412K/QR/-X	SI. TRANSISTOR	
Q0108	2SA1037AK/QR/-X	SI. TRANSISTOR	
Q0109-10	DTC323TK-X	DI G. TRANSISTOR	
Q0111-12	2SC2412K/QR/-X	SI. TRANSISTOR	
Q0116	2SA933AS/QR/-T	SI. TRANSISTOR	



△ Symbol No.	Part No.	Part Name	Description
<b>TRANSISTOR</b>			
Q0118	2SC1740S/QR/-T	SI. TRANSISTOR	
Q0119-20	2SC2412K/QR/-X	SI. TRANSISTOR	
Q0301	2SA1037AK/QR/-X	SI. TRANSISTOR	
Q0302-03	DTC124EKA-X	DIGI. TRANSISTOR	
Q0304-05	2SA1037AK/QR/-X	SI. TRANSISTOR	
Q0306	2SC2412K/QR/-X	SI. TRANSISTOR	
Q0307	2SA1037AK/QR/-X	SI. TRANSISTOR	
Q0308	2SC2412K/QR/-X	SI. TRANSISTOR	
Q0601	2SC2412K/QR/-X	SI. TRANSISTOR	
<b>I C</b>			
IC0101	CXA2089Q-X	I. C. (MONO-ANA)	
IC0302	TDA9181T/N1-X	I. C. (MONO-ANA)	
IC0603	MSP3415D-QG-B3X	I. C. (MONO-ANA)	
<b>OTHERS</b>			
CN0006	QGB1505K1-50	CONNECTOR	
J0001	QNZ0465-001	PIN CONNECTOR	
J0002	QNZ0463-001	PIN CONNECTOR	
K0101-04	CE42681-001Y	BEADS CORE	
K0301	CE41433-001Z	BEADS CORE	
△ K0601	CE41433-001Z	BEADS CORE	
LC0101-02	CE42482-103Y	EMI FILTER	
LC0601-02	CE42482-103Y	EMI FILTER	
X0601	CE42546-001Z	CRYSTAL	

# AV-28WFR1EKS/A / AV-28WFR1EK/A

## PACKING



## PACKING PARTS LIST

### AV-28WFR1EKS/A

△ Ref. No.	Part No.	Part Name	Description
1	RM-C52-1C	REMOCON UNIT	
△ 2	LCT0623-001A-U	INST BOOK	
3	BT-54013-1E	WARRANTY CARD	
4	AEM3148-001-E	REG CARD	
5	AEM3021-001-E	POLY BAG	
6	AEM1047-002-E	POLY BAG	
7	LC10722-002A-U	CUSHION ASSY	4pcs in 1set
8	AEM1002-A68-E	PACKING CASE	
9	AEM1052-037-E	EURO LABEL	
△ 10	LCT0931-001A-U	INST SHEET	

### AV-28WFR1EK/A

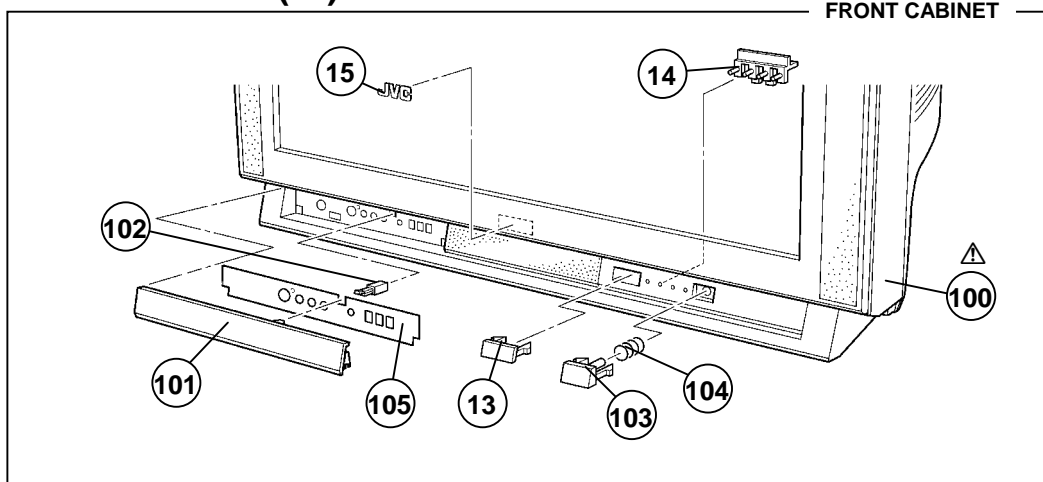
△ Ref. No.	Part No.	Part Name	Description
1	RM-C52-1C	REMOCON UNIT	
△ 2	LCT0623-001B-U	INST BOOK	
3	BT-54013-1E	WARRANTY CARD	
4	AEM3148-001-E	REG CARD	
5	AEM3021-001-E	POLY BAG	
6	AEM1047-002-E	POLY BAG	
7	LC10722-002A-U	CUSHION ASSY	4pcs in 1set
8	AEM1002-B68-E	PACKING CASE	
9	AEM1052-038-E	EURO LABEL	

# AV-32WFR1EKS/A

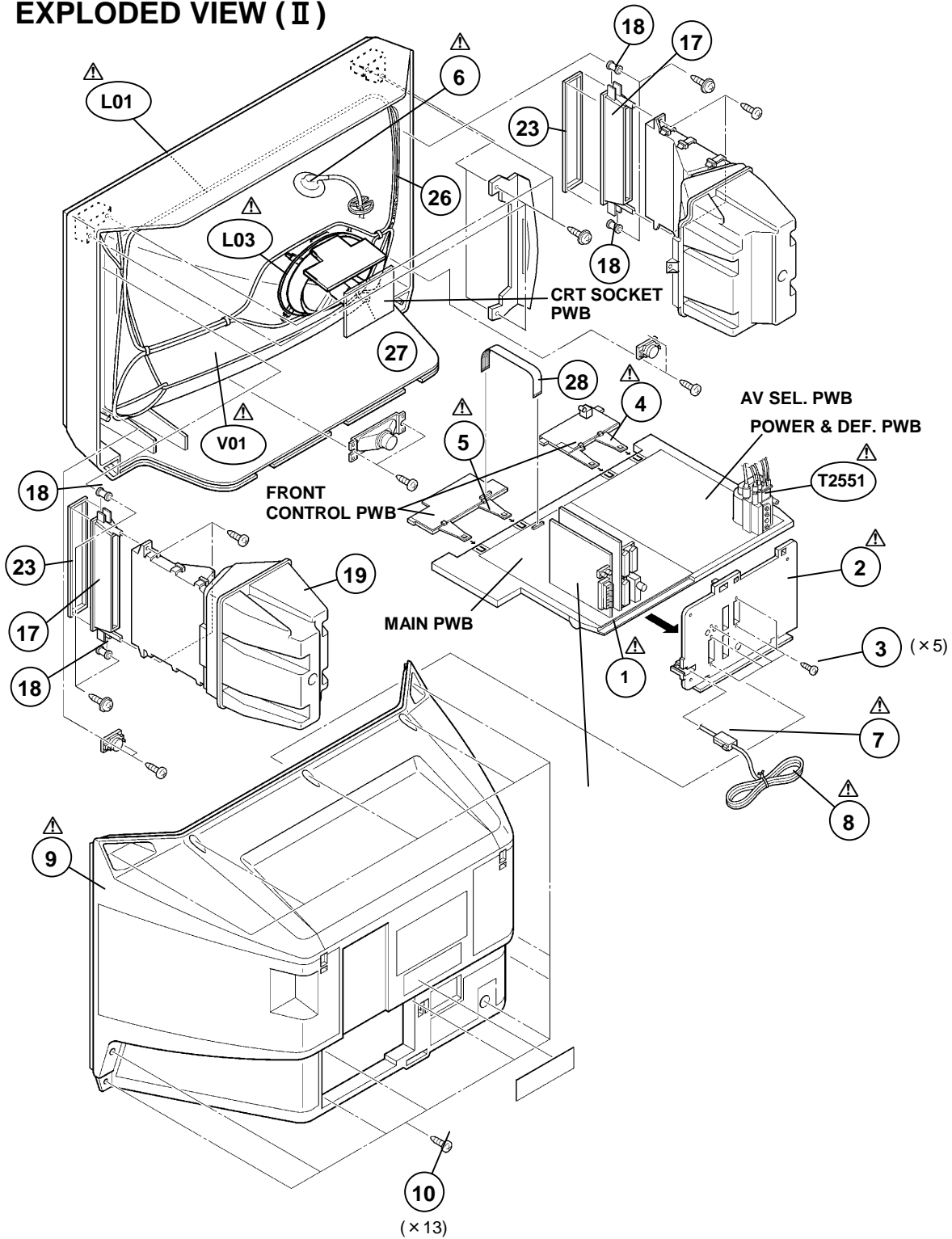
## EXPLODED VIEW PARTS LIST

△ Ref. No.	Part No.	Part Name	Description
△ V01	W76EKW10X21	CRT(ITC)	Inc. DY. PC MAGNET WEDGE
△ L01	QQW0105-001	DEG COIL	
△ T2551	QQH0094-002-I2	FBT	(SERVICE) Within POWER & DEF PWB
△ 1	LC10716-002F-U	CHASSIS BASE	
△ 2	LC10717-010C-U	AV BOARD	
△ 3	QYSBSB3012M	TAPPING SCREW	(×5) For AV BOARD
△ 4	LC10380-001C-U	CONTROL BASE L	
△ 5	LC10380-002B-U	CONTROL BASE R	
△ 6	QNZ0369-001	ANODE WIRE	
△ 7	CM46618-A01-E	POWER CORD CLAMP	
△ 8	QMPN130-185-JC	POWER CORD	
△ 9	LC10378-004B-U	REAR COVER	
△ 10	QYSBSAG4016N	TAPPING SCREW	(×13)
△ 11	LC20091-032A-U	RATING LABEL	
△ 13	LC30579-001B-C	REMOCON WINDOW	
△ 14	LC30580-001B-C	L. E. D. LENS	
15	LC40354-003A-C	JVC MARK	
16	CEBSF10P-05KJ6	SPEAKER	(×2) SP01, SP02
17	LC10379-001A-U	HORN ADAPTER	(×2)
18	AEM4087-001-E	BUSHING	(×4)
19	CM12922-A01-E	DOME BOX	(×2)
20	LC40506-001A	TAP SCREW	(×4) For HORN ADAPTER
23	LC30820-001C	STICK SHEET	(×4)
25	QAS0030-001	SPEAKER	SP03
26	CHGB0029-0C	BRAIDED ASSY	
27	CHGB0017-0B	BRAIDED SUB ASSY	(×2)
28	CHFD125-18BD	FFC WIRE	
29	CHGS0033-0A	SPEAKER WIRE	(×2)
31	CEBSF02K-01KJ6	SPEAKER	(×2) SP04, SP05
32	CM12921-001-E	DOME ADAPTER	(×2)
△ 100	LC10376-016B-U	FRONT CABI ASSY	Inc. No. 101~105
101	LC20265-009B-U	DOOR	(SERVICE)
102	CM48229-00A-C	DOOR LATCH	
103	LC30578-001A-C	POWER KNOB	(SERVICE)
104	AEM3149-001-E	SPRING	
105	LC30597-007B-U	CONTROL SHEET	
200	2528MXSP-2SE	DOME SPEAKER	(×2) Inc. No. 201~202
201	CM12463-D01-E	HORN	(×2)
202	CM12464-D01-E	HORN PANEL	(×2)

## EXPLODED VIEW ( I )



**EXPLODED VIEW (II)**



## AV-32WFR1EKS

## PRINTED WIRING BOARD PARTS LIST

## MAIN PW BOARD ASS'Y (SJK-1908A-U2)

△ Symbol No.	Part No.	Part Name	Description
<b>RESISTOR</b>			
R1001	NRSA02J-102X	MG R	1kΩ 1/10W J
R1004	NRSA02J-102X	MG R	1kΩ 1/10W J
R1005	NRSA02J-102X	MG R	1kΩ 1/10W J
R1006	NRSA02J-102X	MG R	1kΩ 1/10W J
R1007	NRSA02J-104X	MG R	100kΩ 1/10W J
R1008	NRSA02J-OROX	MG R	0.0Ω 1/10W J
R1301	NRSA02J-103X	MG R	10kΩ 1/10W J
R1302	NRSA02J-183X	MG R	18kΩ 1/10W J
R1303	NRSA02J-153X	MG R	15kΩ 1/10W J
R1304	ORG01GJ-121	OM R	120Ω 1W J
R1305	NRSA02J-562X	MG R	5.6kΩ 1/10W J
R1306	NRSA02J-222X	MG R	2.2kΩ 1/10W J
R1307	NRSA02J-102X	MG R	1kΩ 1/10W J
R1308	NRSA02J-471X	MG R	470Ω 1/10W J
R1309	NRSA02J-222X	MG R	2.2kΩ 1/10W J
R1310-11	NRSA02J-391X	MG R	390Ω 1/10W J
R1312-13	NRSA02J-101X	MG R	100Ω 1/10W J
R1314	NRSA02J-562X	MG R	5.6kΩ 1/10W J
R1316	NRSA02J-224X	MG R	220kΩ 1/10W J
R1317	NRSA02J-101X	MG R	100Ω 1/10W J
R1318	NRSA02J-102X	MG R	1kΩ 1/10W J
R1319	NRSA02J-102X	MG R	1kΩ 1/10W J
R1320	NRSA02J-102X	MG R	1kΩ 1/10W J
R1321	NRSA02J-102X	MG R	1kΩ 1/10W J
R1327	NRSA02J-OROX	MG R	0.0Ω 1/10W J
R1328	NRSA02J-102X	MG R	1kΩ 1/10W J
R1329	NRSA02J-102X	MG R	1kΩ 1/10W J
R1330	NRSA02J-472X	MG R	4.7kΩ 1/10W J
R1331	NRSA02J-333X	MG R	33kΩ 1/10W J
R1332-33	NRSA02J-222X	MG R	2.2kΩ 1/10W J
R1335	NRSA02J-273X	MG R	27kΩ 1/10W J
R1336	NRSA02J-103X	MG R	10kΩ 1/10W J
R1337	NRSA02J-102X	MG R	1kΩ 1/10W J
R1338	NRSA02J-562X	MG R	5.6kΩ 1/10W J
R1339	NRSA02J-102X	MG R	1kΩ 1/10W J
R1340-41	NRSA02J-333X	MG R	33kΩ 1/10W J
R1342	NRSA02J-152X	MG R	1.5kΩ 1/10W J
R1343	NRSA02J-272X	MG R	2.7kΩ 1/10W J
R1344	NRSA02J-471X	MG R	470Ω 1/10W J
R1345	NRSA02J-102X	MG R	1kΩ 1/10W J
R1346	NRSA02J-223X	MG R	22kΩ 1/10W J
R1401-02	NRSA02J-103X	MG R	10kΩ 1/10W J
R1403	NRSA02J-102X	MG R	1kΩ 1/10W J
R1404	NRSA02J-183X	MG R	18kΩ 1/10W J
R1405	NRSA02J-223X	MG R	22kΩ 1/10W J
R1409	NRSA02J-OROX	MG R	0.0Ω 1/10W J
R1411	NRVA02D-473X	MF R	47kΩ 1/10W D
R1413	NRVA02D-223X	MF R	22kΩ 1/10W D
R1414	NRVA02D-101X	MF R	100Ω 1/10W D
R1415	NRSA02J-562X	MG R	5.6kΩ 1/10W J
R1416	NRSA02J-101X	MG R	100Ω 1/10W J
R1417	NRSA02J-223X	MG R	22kΩ 1/10W J
R1418	NRSA02J-682X	MG R	6.8kΩ 1/10W J
R1419	NRSA02J-562X	MG R	5.6kΩ 1/10W J
R1420	NRSA02J-123X	MG R	12kΩ 1/10W J
R1501	NRSA02J-621X	MG R	620Ω 1/10W J
R1502	NRSA02J-103X	MG R	10kΩ 1/10W J
R1503	NRSA02J-104X	MG R	100kΩ 1/10W J
R1504	NRSA02J-822X	MG R	8.2kΩ 1/10W J
R1505-06	NRSA02J-221X	MG R	220Ω 1/10W J
R1507	NRSA02J-102X	MG R	1kΩ 1/10W J
R1508	NRSA02J-223X	MG R	22kΩ 1/10W J
R1509	NRSA02J-223X	MG R	22kΩ 1/10W J
R1511	NRSA02J-OROX	MG R	0.0Ω 1/10W J

△ Symbol No.	Part No.	Part Name	Description
<b>RESISTOR</b>			
R1514	NRSA02J-472X	MG R	4.7kΩ 1/10W J
R1516	NRSA02J-222X	MG R	2.2kΩ 1/10W J
R1517	NRSA02J-472X	MG R	4.7kΩ 1/10W J
R1518	NRSA02J-682X	MG R	6.8kΩ 1/10W J
R1519	NRSA02J-562X	MG R	5.6kΩ 1/10W J
R1520	NRSA02J-152X	MG R	1.5kΩ 1/10W J
R1551	QRK126J-100X	C R	10Ω 1/2W J
R1552	NRSA02J-124X	MG R	120kΩ 1/10W J
R1553	NRSA02J-683X	MG R	68kΩ 1/10W J
R1554	NRSA02J-333X	MG R	33kΩ 1/10W J
R1555	NRSA02J-472X	MG R	4.7kΩ 1/10W J
R1556	NRSA02J-154X	MG R	150kΩ 1/10W J
R1557-58	NRSA02J-562X	MG R	5.6kΩ 1/10W J
R1559	NRSA02J-OROX	MG R	0.0Ω 1/10W J
R1560	NRSA02J-104X	MG R	100kΩ 1/10W J
R1561	QRK126J-100X	C R	10Ω 1/2W J
R1571	NRSA02J-101X	MG R	100Ω 1/10W J
R1572	NRSA02J-133X	MG R	13kΩ 1/10W J
R1573	NRSA02J-821X	MG R	820Ω 1/10W J
R1633	NRSA02J-273X	MG R	27kΩ 1/10W J
R1634	NRSA02J-OROX	MG R	0.0Ω 1/10W J
R1638	NRSA02J-473X	MG R	47kΩ 1/10W J
R1641	NRSA02J-OROX	MG R	0.0Ω 1/10W J
R1642-43	NRSA02J-104X	MG R	100kΩ 1/10W J
R1644-45	NRSA02J-104X	MG R	100kΩ 1/10W J
R1649	NRSA02J-682X	MG R	6.8kΩ 1/10W J
R1650	NRSA02J-104X	MG R	100kΩ 1/10W J
R1651	NRSA02J-223X	MG R	22kΩ 1/10W J
R1652	NRSA02J-562X	MG R	5.6kΩ 1/10W J
R1653	QRK126J-103X	C R	10kΩ 1/2W J
R1654	NRSA02J-472X	MG R	4.7kΩ 1/10W J
R1655	NRSA02J-223X	MG R	22kΩ 1/10W J
R1656	NRSA02J-562X	MG R	5.6kΩ 1/10W J
R1657	NRSA02J-332X	MG R	3.3kΩ 1/10W J
R1658	NRSA02J-122X	MG R	1.2kΩ 1/10W J
R1659	NRSA02J-332X	MG R	3.3kΩ 1/10W J
R1660	QRK126J-2R2X	C R	2.2Ω 1/2W J
R1661	NRSA02J-103X	MG R	10kΩ 1/10W J
R1663	NRSA02J-561X	MG R	560Ω 1/10W J
R1664	NRSA02J-562X	MG R	5.6kΩ 1/10W J
R1665-66	NRSA02J-681X	MG R	680Ω 1/10W J
R1668	NRSA02J-223X	MG R	22kΩ 1/10W J
R1669	NRSA02J-223X	MG R	22kΩ 1/10W J
R1670	NRSA02J-681X	MG R	680Ω 1/10W J
R1672	NRSA02J-681X	MG R	680Ω 1/10W J
R1673	NRSA02J-223X	MG R	22kΩ 1/10W J
R1674	NRSA02J-223X	MG R	22kΩ 1/10W J
R1675	NRSA02J-103X	MG R	10kΩ 1/10W J
R1676	NRSA02J-563X	MG R	56kΩ 1/10W J
R1677-78	NRSA02J-273X	MG R	27kΩ 1/10W J
R1679	NRSA02J-103X	MG R	10kΩ 1/10W J
R1680	NRSA02J-563X	MG R	56kΩ 1/10W J
R1682	QRK126J-2R2X	C R	2.2Ω 1/2W J
R1683	QRK126J-2R2X	C R	2.2Ω 1/2W J
R1687	QRK126J-2R2X	C R	2.2Ω 1/2W J
R1688	QRK126J-2R2X	C R	2.2Ω 1/2W J
R1689	NRSA02J-473X	MG R	47kΩ 1/10W J
R1691	ORG01GJ-180	OM R	18Ω 1W J
R1701	NRSA02J-221X	MG R	220Ω 1/10W J
R1702	NRSA02J-822X	MG R	8.2kΩ 1/10W J
R1703	NRSA02J-273X	MG R	27kΩ 1/10W J
R1704	NRSA02J-473X	MG R	47kΩ 1/10W J
R1705	NRSA02J-102X	MG R	1kΩ 1/10W J

△ Symbol No.	Part No.	Part Name	Description
<b>RESISTOR</b>			
R1706	NRSA02J-223X	MG R	22kΩ 1/10W J
R1707-12	NRSA02J-103X	MG R	10kΩ 1/10W J
R1713	NRSA02J-102X	MG R	1kΩ 1/10W J
R1714	NRSA02J-102X	MG R	1kΩ 1/10W J
R1716	NRSA02J-102X	MG R	1kΩ 1/10W J
R1717	NRSA02J-104X	MG R	100kΩ 1/10W J
R1718	NRSA02J-682X	MG R	6.8kΩ 1/10W J
R1719	NRSA02J-682X	MG R	6.8kΩ 1/10W J
R1720	NRSA02J-472X	MG R	4.7kΩ 1/10W J
R1721	NRSA02J-103X	MG R	10kΩ 1/10W J
R1722	NRSA02J-472X	MG R	4.7kΩ 1/10W J
R1723	NRSA02J-102X	MG R	1kΩ 1/10W J
R1724-28	NRSA02J-472X	MG R	4.7kΩ 1/10W J
R1729-31	NRSA02J-221X	MG R	220Ω 1/10W J
R1732	NRSA02J-562X	MG R	5.6kΩ 1/10W J
R1733	NRSA02J-103X	MG R	10kΩ 1/10W J
R1734	NRSA02J-223X	MG R	22kΩ 1/10W J
R1736-39	NRSA02J-103X	MG R	10kΩ 1/10W J
R1740	NRSA02J-331X	MG R	330Ω 1/10W J
R1741	NRSA02J-102X	MG R	1kΩ 1/10W J
R1742	NRSA02J-102X	MG R	1kΩ 1/10W J
R1745-47	NRSA02J-472X	MG R	4.7kΩ 1/10W J
R1748-49	NRSA02J-221X	MG R	220Ω 1/10W J
R1749-52	NRSA02J-221X	MG R	220Ω 1/10W J
R1753	NRSA02J-102X	MG R	1kΩ 1/10W J
R1754	NRSA02J-683X	MG R	68kΩ 1/10W J
R1755	NRSA02J-102X	MG R	1kΩ 1/10W J
R1756	NRSA02J-103X	MG R	10kΩ 1/10W J
R1758	NRSA02J-103X	MG R	10kΩ 1/10W J
R1759	NRSA02J-472X	MG R	4.7kΩ 1/10W J
R1760	NRSA02J-103X	MG R	10kΩ 1/10W J
R1762-63	NRSA02J-103X	MG R	10kΩ 1/10W J
R1764-66	NRSA02J-221X	MG R	220Ω 1/10W J
R1767	NRSA02J-103X	MG R	10kΩ 1/10W J
R1770	NRSA02J-272X	MG R	2.7kΩ 1/10W J
R1771-73	NRSA02J-222X	MG R	2.2kΩ 1/10W J
R1774-75	NRSA02J-333X	MG R	33kΩ 1/10W J
R1777-79	NRSA02J-222X	MG R	2.2kΩ 1/10W J
R1780	NRSA02J-102X	MG R	1kΩ 1/10W J
R1784	NRSA02J-223X	MG R	22kΩ 1/10W J
R1785	NRSA02J-223X	MG R	22kΩ 1/10W J
R1786	NRSA02J-473X	MG R	47kΩ 1/10W J
R1787	NRSA02J-332X	MG R	3.3kΩ 1/10W J
R1788	NRSA02J-272X	MG R	2.7kΩ 1/10W J
R1789	NRSA02J-473X	MG R	47kΩ 1/10W J
R1790	NRSA02J-682X	MG R	6.8kΩ 1/10W J
R1801	NRSA02J-333X	MG R	33kΩ 1/10W J
R1802	NRSA02J-222X	MG R	2.2kΩ 1/10W J
R1804	NRSA02J-473X	MG R	47kΩ 1/10W J
R1805	NRSA02J-332X	MG R	3.3kΩ 1/10W J
R1806	NRSA02J-184X	MG R	180kΩ 1/10W J
R1834	NRSA02J-473X	MG R	47kΩ 1/10W J
R1835	NRSA02J-152X	MG R	1.5kΩ 1/10W J
R1837	NRSA02J-102X	MG R	1kΩ 1/10W J
R1838	NRSA02J-393X	MG R	39kΩ 1/10W J
R1839	NRSA02J-332X	MG R	3.3kΩ 1/10W J
R1840	NRSA02J-152X	MG R	1.5kΩ 1/10W J
R1841	NRSA02J-331X	MG R	330Ω 1/10W J
R1842	NRSA02J-222X	MG R	2.2kΩ 1/10W J
R1843	NRSA02J-332X	MG R	3.3kΩ 1/10W J
R1844	NRSA02J-392X	MG R	3.9kΩ 1/10W J
R1845	NRSA02J-272X	MG R	2.7kΩ 1/10W J
R1846	NRSA02J-103X	MG R	10kΩ 1/10W J
R1847-48	NRSA02J-472X	MG R	4.7kΩ 1/10W J
R1849	NRSA02J-823X	MG R	82kΩ 1/10W J
R1850	NRSA02J-102X	MG R	1kΩ 1/10W J
R1851	NRSA02J-102X	MG R	1kΩ 1/10W J
R1852	NRSA02J-102X	MG R	1kΩ 1/10W J
R1853	NRSA02J-102X	MG R	1kΩ 1/10W J
R1854	NRSA02J-102X	MG R	1kΩ 1/10W J
R1855	NRSA02J-102X	MG R	1kΩ 1/10W J
R1856	NRSA02J-102X	MG R	1kΩ 1/10W J

△ Symbol No.	Part No.	Part Name	Description
<b>RESISTOR</b>			
R1857	NRSA02J-472X	MG R	4.7kΩ 1/10W J
R1858	NRSA02J-223X	MG R	22kΩ 1/10W J
R1859	NRSA02J-823X	MG R	82kΩ 1/10W J
R1871	NRSA02J-102X	MG R	1kΩ 1/10W J
R1872-73	NRSA02J-222X	MG R	2.2kΩ 1/10W J
R1874	NRSA02J-272X	MG R	2.7kΩ 1/10W J
R1875	NRSA02J-104X	MG R	100kΩ 1/10W J
R1876	NRSA02J-102X	MG R	1kΩ 1/10W J
R1877	NRSA02J-393X	MG R	39kΩ 1/10W J
R1878-80	NRSA02J-152X	MG R	1.5kΩ 1/10W J
R1881-82	NRSA02J-331X	MG R	330Ω 1/10W J
R1883	NRSA02J-102X	MG R	1kΩ 1/10W J
R1884	NRSA02J-331X	MG R	330Ω 1/10W J
<b>CAPACITOR</b>			
C1001	NCB21HK-222X	C CAP.	2200pF 50V K
C1003	NCB21EK-104X	C CAP.	0.1μF 25V K
C1004	QETN1CM-108Z	E CAP.	1000μF 16V M
C1005	QETN1CM-107Z	E CAP.	100μF 16V M
C1006	QETN1HM-106Z	E CAP.	10μF 50V M
C1007	NCB21EK-104X	C CAP.	0.1μF 25V K
C1008	QETN1HM-106Z	E CAP.	10μF 50V M
C1009	NCB21EK-104X	C CAP.	0.1μF 25V K
C1010	QETN1CM-107Z	E CAP.	100μF 16V M
C1301	NCB21EK-104X	C CAP.	0.1μF 25V K
C1302	NCB21HK-823X	CHI P CAP.	0.082μF 50V K
C1303	QETN1EM-476Z	E CAP.	47μF 25V M
C1304	NCB21HK-103X	C CAP.	0.01μF 50V K
C1305	QETN1CM-107Z	E CAP.	100μF 16V M
C1306	NCB21HK-103X	C CAP.	0.01μF 50V K
C1307	QETN1CM-477Z	E CAP.	470μF 16V M
C1308	NDC21HJ-120X	C CAP.	12pF 50V J
C1309	QETN1HM-475Z	E CAP.	4.7μF 50V M
C1310	NCB21HK-103X	C CAP.	0.01μF 50V K
C1311	QETN1HM-106Z	E CAP.	10μF 50V M
C1312	NDC21HJ-680X	C CAP.	68pF 50V J
C1313	QETN1CM-107Z	E CAP.	100μF 16V M
C1314	NCB21HK-103X	C CAP.	0.01μF 50V K
C1315	QETN1HM-106Z	E CAP.	10μF 50V M
C1319	QETN1CM-107Z	E CAP.	100μF 16V M
C1320	NCB21HK-103X	C CAP.	0.01μF 50V K
C1321-23	NCB21EK-104X	C CAP.	0.1μF 25V K
C1324-26	QETN1HM-105Z	E CAP.	1μF 50V M
C1327	QETN1HM-475Z	E CAP.	4.7μF 50V M
C1328	QETN1CM-107Z	E CAP.	100μF 16V M
C1329	QETN1EM-476Z	E CAP.	47μF 25V M
C1331	QETN1HM-105Z	E CAP.	1μF 50V M
C1332	NCB21HK-103X	C CAP.	0.01μF 50V K
C1333	NCB21EK-104X	C CAP.	0.1μF 25V K
C1401	QETN1HM-105Z	E CAP.	1μF 50V M
C1403-05	NCB21HK-103X	C CAP.	0.01μF 50V K
C1406	QFV71HJ-184Z	MF CAP.	0.18μF 50V J
C1407	QFV71HJ-824Z	MF CAP.	0.82μF 50V J
C1408	NCB21HK-153X	C CAP.	0.015μF 50V K
C1501	QETN1CM-107Z	E CAP.	100μF 16V M
C1502-04	NCB21HK-103X	C CAP.	0.01μF 50V K
C1505	NCB21HK-332X	C CAP.	3300pF 50V K
C1506	QETN1HM-335Z	E CAP.	3.3μF 50V M
C1507	NCB21HK-103X	C CAP.	0.01μF 50V K
C1508	QETN1CM-108Z	E CAP.	1000μF 16V M
C1509	NCB21HK-823X	CHI P CAP.	0.082μF 50V K
C1510-11	NCB21HK-103X	C CAP.	0.01μF 50V K
C1512	QTMN1HM-105Z	E CAP.	1μF 50V M
C1513	QETN1CM-228Z	E CAP.	2200μF 16V M
C1514	NCB21HK-103X	C CAP.	0.01μF 50V K
C1515	QFV71HJ-394Z	MF CAP.	0.39μF 50V J
C1516	NCB21HK-103X	C CAP.	0.01μF 50V K
C1551-52	NCB21EK-224X	CHI P CAP.	0.22μF 25V K
C1553	QETN1EM-476Z	E CAP.	47μF 25V M

△ Symbol No.	Part No.	Part Name	Description
<b>CAPACITOR</b>			
C1554-55	NCB21EK-224X	CHIP CAP.	0. 22μF 25V K
C1571	NCB21HK-103X	C CAP.	0. 01μF 50V K
C1605-06	NCB21EK-104X	C CAP.	0. 1μF 25V K
C1622-23	QETN1CM-227Z	E CAP.	220μF 16V M
C1624-25	QETN1HM-105Z	E CAP.	1μF 50V M
C1625	QETN1HM-105Z	E CAP.	1μF 50V M
C1626	QETN1HM-476Z	E CAP.	47μF 50V M
C1627	NDC21HJ-181X	C CAP.	180pF 50V J
C1629	QETN1HM-476Z	E CAP.	47μF 50V M
C1630	NDC21HJ-181X	C CAP.	180pF 50V J
C1631	QETN1HM-105Z	E CAP.	1μF 50V M
C1632	QETN1HM-106Z	E CAP.	10μF 50V M
C1633	QETN1HM-105Z	E CAP.	1μF 50V M
C1635	QETN1HM-105Z	E CAP.	1μF 50V M
C1636	QETN1HM-107Z	E CAP.	100μF 50V M
C1637	QETN1HM-106Z	E CAP.	10μF 50V M
C1638-39	NCF21HZ-224X	C CAP.	0. 22μF 50V Z
C1642	QETN1HM-105Z	E CAP.	1μF 50V M
C1643	QETN1CM-107Z	E CAP.	100μF 16V M
C1644-45	NCB21EK-104X	C CAP.	0. 1μF 25V K
C1646	QETN1CM-107Z	E CAP.	100μF 16V M
C1647	QETN1HM-105Z	E CAP.	1μF 50V M
C1649	NDC21HJ-100X	C CAP.	10pF 50V J
C1651	NDC21HJ-100X	C CAP.	10pF 50V J
C1652-55	NCF21HZ-224X	C CAP.	0. 22μF 50V Z
C1656	QETN1HM-228	E CAP.	2200μF 50V M
C1657-58	QETN1EM-228	E CAP.	2200μF 25V M
C1661-63	QETN1VM-108	E CAP.	1000μF 35V M
C1664-67	QFV71HJ-684Z	MF CAP.	0. 68μF 50V J
C1668	NCB21EK-104X	C CAP.	0. 1μF 25V K
C1669-70	QE20206-335Z	BP E CAP.	3. 3μF 50V M
C1671	QETN1CM-107Z	E CAP.	100μF 16V M
C1672	NCB21EK-104X	C CAP.	0. 1μF 25V K
C1673	QETN1CM-227Z	E CAP.	220μF 16V M
C1674	NRSA02J-0R0X	MG R	0. 0Ω 1/10W J
C1675	QETN1EM-476Z	E CAP.	47μF 25V M
C1701	NCF21CZ-105X	C CAP.	1μF 16V Z
C1703	QETN1EM-476Z	E CAP.	47μF 25V M
C1704	NCB21EK-104X	C CAP.	0. 1μF 25V K
C1705	QETN1AM-107Z	E CAP.	100μF 10V M
C1706	NCB21EK-104X	C CAP.	0. 1μF 25V K
C1707	QETN1HM-474Z	E CAP.	0. 47μF 50V M
C1708	QETN1EM-476Z	E CAP.	47μF 25V M
C1709-10	NDC21HJ-9R0X	C CAP.	9. 0pF 50V J
C1711	NCB21EK-104X	C CAP.	0. 1μF 25V K
C1712	NDC21HJ-151X	C CAP.	150pF 50V J
C1713	QETN1HM-105Z	E CAP.	1μF 50V M
C1714	NDC21HJ-561X	C CAP.	560pF 50V J
C1716-17	QETN1HM-105Z	E CAP.	1μF 50V M
C1718	NCB21HK-333X	C CAP.	0. 033μF 50V K
C1725	NCB21HK-102X	C CAP.	1000pF 50V K
C1831	QENC1CM-476Z	BP E CAP.	47μF 16V M
C1832	QETN1EM-476Z	E CAP.	47μF 25V M
C1833	NDC21HJ-221X	C CAP.	220pF 50V J
C1834	NCB21EK-104X	C CAP.	0. 1μF 25V K
C1835	NDC21HJ-220X	C CAP.	22pF 50V J
C1836-38	NCB21EK-104X	C CAP.	0. 1μF 25V K
C1839	QETN1HM-106Z	E CAP.	10μF 50V M
C1871	NCB21EK-104X	C CAP.	0. 1μF 25V K
C1872	NCB21HK-223X	C CAP.	0. 022μF 50V K
C1873	NDC21HJ-221X	C CAP.	220pF 50V J
C1874-75	NDC21HJ-150X	C CAP.	15pF 50V J
C1876	NCB21HK-102X	C CAP.	1000pF 50V K
C1877	NCB21EK-104X	C CAP.	0. 1μF 25V K
C1878	NCB21HK-102X	C CAP.	1000pF 50V K
C1879	NDC21HJ-221X	C CAP.	220pF 50V J
C1880	QETN1AM-477Z	E CAP.	470μF 10V M
C1881	NCB21EK-104X	C CAP.	0. 1μF 25V K
C1882	QETN1EM-476Z	E CAP.	47μF 25V M
C1883	NCB21HK-103X	C CAP.	0. 01μF 50V K
C1884-85	NCB21EK-104X	C CAP.	0. 1μF 25V K
C1886	NCB21HK-103X	C CAP.	0. 01μF 50V K
C1887-89	QETN1HM-106Z	E CAP.	10μF 50V M

△ Symbol No.	Part No.	Part Name	Description
<b>COIL</b>			
L1001	QQL244K-5R6Z	COIL	5. 6μH K
L1002	QQL244K-270Z	PEAKING COIL	
L1301-02	QQL244K-4R7Z	COIL	4. 7μH K
L1305	QQL244K-4R7Z	COIL	4. 7μH K
L1501	QQL244J-151Z	PEAKING COIL	
L1701	QQL244K-4R7Z	COIL	4. 7μH K
L1702	QQL244K-3R9Z	COIL	3. 9μH K
L1871	QQL244K-4R7Z	COIL	4. 7μH K

△ Symbol No.	Part No.	Part Name	Description
<b>DIODE</b>			
D1301	MA3051/M/-X	ZENER DIODE	
D1302-04	MA111-X	SI. DIODE	
D1503	RB100A-T2	SI. DIODE	
D1602	MA111-X	SI. DIODE	
D1604-07	MA111-X	SI. DIODE	
D1609-10	MA111-X	SI. DIODE	
D1611	MA704A-X	SI. DIODE	
D1615	MA3051-X	ZENER DIODE	
D1616	MA3062/M/-X	ZENER DIODE	
D1617-19	MA3330/L/-X	ZENER DIODE	
D1620-23	MA3270/H/-X	ZENER DIODE	
D1624-25	MA111-X	SI. DIODE	
D1627	MA111-X	SI. DIODE	
D1701	MA3068/M/-X	ZENER DIODE	
D1702	MA111-X	SI. DIODE	
D1704	MA111-X	SI. DIODE	
D1705	MA3036-X	ZENER DIODE	
D1706-08	MA111-X	SI. DIODE	
D1710	MA111-X	SI. DIODE	
D1831	MA3051/M/-X	ZENER DIODE	

△ Symbol No.	Part No.	Part Name	Description
<b>TRANSISTOR</b>			
Q1301-02	2SA1037AK/QR/-X	SI. TRANSISTOR	
Q1309	2SC2412K/QR/-X	SI. TRANSISTOR	
Q1310	2SA1037AK/QR/-X	SI. TRANSISTOR	
Q1311	DTC124EKA-X	DI. GI. TRANSISTOR	
Q1312	2SA1037AK/QR/-X	SI. TRANSISTOR	
Q1401	DTC124EKA-X	DI. GI. TRANSISTOR	
Q1402	2SC2412K/QR/-X	SI. TRANSISTOR	
Q1604-06	2SA1037AK/QR/-X	SI. TRANSISTOR	
Q1607	DTC124EKA-X	DI. GI. TRANSISTOR	
Q1611	DTC124EKA-X	DI. GI. TRANSISTOR	
Q1613	2SA1037AK/QR/-X	SI. TRANSISTOR	
Q1614	2SC2412K/QR/-X	SI. TRANSISTOR	
Q1615-16	DTC323TK-X	DI. GI. TRANSISTOR	
Q1701-04	2SC2412K/QR/-X	SI. TRANSISTOR	
Q1705-06	2SA1037AK/QR/-X	SI. TRANSISTOR	
Q1707	2SC2412K/QR/-X	SI. TRANSISTOR	
Q1708	2SA1037AK/QR/-X	SI. TRANSISTOR	
Q1709-10	2SC2412K/QR/-X	SI. TRANSISTOR	
Q1832-33	2SC2412K/QR/-X	SI. TRANSISTOR	
Q1834	2SA1037AK/QR/-X	SI. TRANSISTOR	
Q1835-37	2SC2412K/QR/-X	SI. TRANSISTOR	
Q1871	2SA1037AK/QR/-X	SI. TRANSISTOR	
Q1872	2SC2412K/QR/-X	SI. TRANSISTOR	

△ Symbol No.	Part No.	Part Name	Description
<b>IC</b>			
IC1301	TB1227CN	I. C. (DI GI -OTHER)	
IC1302	TC4053BP/M/	I. C. (DI GI -MOS)	
IC1501	ANS441SA-W	I. C. (MONO-ANA)	
IC1551	LA6515	I. C. (MONO-ANA)	
IC1601	TA8256BH	I. C. (HYBRI D)	
IC1602-03	TDA2052V	I. C. (MONO-ANA)	
IC1604	BA4558F-X	I. C. (MONO-ANA)	
IC1607	BA05T	I. C. (MONO-ANA)	
IC1701	M37280MK-106SP	I. C. (MI CRO-COMP)	
IC1702	AT24C16-32WFR1	I. C.	(SERVI CE)
IC1703	L78LR05E-MA	I. C. (MONO-ANA)	
IC1704	JLC1562BF-X	I. C. (DI GI -MOS)	
IC1831	JCC5035	I. C. (DI GI -MOS)	
IC1832	MN1382/Q/-X	I. C. (MONO-ANA)	
IC1871	ET417	I. C. (M)	
IC1872	ET206	I. C. (M)	



△ Symbol No.	Part No.	Part Name	Description
<b>OTHERS</b>			
K1001	CE41433-001Z	BEADS CORE	
K1004	CE41433-001Z	BEADS CORE	
K1307	CE41433-001Z	BEADS CORE	
K1872	QQL244K-3R3Z	COIL	3.3μH K
LC1301	CE42142-222Z	EMI FILTER	
TU1001	QAU0189-002	TUNER	
X1301	QAX0305-001Z	CRYSTAL	
X1701	CST8.00MTW	CER. RESONATOR	
X1831	QAX0624-001Z	CER. RESONATOR	
X1871	CE41257-001Z	CRYSTAL	

**POWER & DEF PW BOARD ASS'Y (SJK-2507A-H3)**

△ Symbol No.	Part No.	Part Name	Description
<b>RESISTOR</b>			
R2401	QRE141J-682Y	C R	6.8kΩ 1/4W J
R2402	QRA14CF-6801Y	MF R	6.8kΩ 1/4W F
R2403	QRA14CF-3091Y	MF R	3.09kΩ 1/4W F
R2404-05	QRA14CF-8200Y	MF R	820Ω 1/4W F
R2406	QRE141J-103Y	C R	10kΩ 1/4W J
R2409	QRE141J-103Y	C R	10kΩ 1/4W J
R2410	QRE141J-102Y	C R	1kΩ 1/4W J
R2414	QRE121J-5R6Y	C R	5.6Ω 1/2W J
R2415	QRX01GJ-1R8	MF R	1.8Ω 1W J
R2416	QRG01GJ-820	OM R	82Ω 1W J
R2417	QRE121J-1R0Y	C R	1.0Ω 1/2W J
R2461	QRE141J-331Y	C R	330Ω 1/4W J
R2463	QRE121J-392Y	C R	3.9kΩ 1/2W J
R2464	QRE121J-562Y	C R	5.6kΩ 1/2W J
R2465	QRE121J-272Y	C R	2.7kΩ 1/2W J
R2466	QRE121J-102Y	C R	1kΩ 1/2W J
R2467	QRL039J-120	OM R	12Ω 3W J
R2468	QRE121J-472Y	C R	4.7kΩ 1/2W J
R2492	QRE141J-683Y	C R	68kΩ 1/4W J
R2493	QRE141J-224Y	C R	220kΩ 1/4W J
△ R2494	QRZ9017-4R7	F R	4.7Ω 1/4W J
R2495	QRE141J-103Y	C R	10kΩ 1/4W J
R2496	QRE141J-183Y	C R	18kΩ 1/4W J
R2497	QRE141J-153Y	C R	15kΩ 1/4W J
R2502	QRE141J-222Y	C R	2.2kΩ 1/4W J
R2503	QRE121J-152Y	C R	1.5kΩ 1/2W J
R2504-05	QRL039J-332	OM R	3.3kΩ 3W J
R2521	QRE121J-150Y	C R	15Ω 1/2W J
R2522	QRL039J-103	OM R	10kΩ 3W J
R2523	QRE121J-471Y	C R	470Ω 1/2W J
△ R2524	QRZ9017-4R7	F R	4.7Ω 1/4W J
R2525	QRE141J-152Y	C R	1.5kΩ 1/4W J
R2541	QRE121J-103Y	C R	10kΩ 1/2W J
R2542	QRE121J-222Y	C R	2.2kΩ 1/2W J
R2543	QRE121J-124Y	C R	120kΩ 1/2W J
R2544	QRE121J-104Y	C R	100kΩ 1/2W J
R2545	QRE141J-123Y	C R	12kΩ 1/4W J
R2546	QRE121J-104Y	C R	100kΩ 1/2W J
R2547	QRE141J-123Y	C R	12kΩ 1/4W J
R2548	QRE121J-222Y	C R	2.2kΩ 1/2W J
R2551-52	QRT039J-1R2	MF R	1.2Ω 3W J
R2553	QRF104K-5R6	UNF R	5.6Ω 10W K
△ R2554	QRZ9022-R68	FR	0.68Ω 1W K
△ R2555	QRZ9011-4R7	FR	4.7Ω 1/2W J
R2561	QRL029J-220	OM R	22Ω 2W J
R2562	QRE121J-123Y	C R	12kΩ 1/2W J
R2563	QRZ0056-103Z	COMP. R	10kΩ
R2591	QRE121J-123Y	C R	12kΩ 1/2W J

△ Symbol No.	Part No.	Part Name	Description
<b>RESISTOR</b>			
R2592	QRA14CF-1201Y	MF R	1.2kΩ 1/4W F
R2593	QRE141J-183Y	C R	18kΩ 1/4W J
R2594	QRE141J-222Y	C R	2.2kΩ 1/4W J
△ R2595	QRA14CF-1962Y	MF R	19.6kΩ 1/4W F
△ R2596	QRA14CF-2871Y	MF R	2.87kΩ 1/4W F
R2597	QRE141J-273Y	C R	27kΩ 1/4W J
R2902	QRE121J-331Y	C R	330Ω 1/2W J
△ R2903	QRF104K-3R9	UNF R	3.9Ω 10W K
R2904-05	QRE121J-474Y	C R	470kΩ 1/2W J
R2907-08	QRL039J-823	OM R	82kΩ 3W J
R2909	QRG039J-683	OM R	68kΩ 3W J
R2910	QRE121J-681Y	C R	680Ω 1/2W J
R2911	QRM059J-R15	MP R	0.15Ω 5W J
R2912	QRT029J-2R2	MF R	2.2Ω 2W J
R2913	QRZ9017-100	FR	10 Ω 1/4W J
R2914	QRE121J-272Y	C R	2.7kΩ 1/2W J
R2918	QRE121J-332Y	C R	3.3kΩ 1/2W J
R2933	QRE141J-102Y	C R	1kΩ 1/4W J
R2935	QRE141J-473Y	C R	47kΩ 1/4W J
R2936	QRE141J-103Y	C R	10kΩ 1/4W J
R2938	QRE121J-102Y	C R	1kΩ 1/2W J
R2940	QRE121J-390Y	C R	39Ω 1/2W J
R2964	QRE121J-102Y	C R	1kΩ 1/2W J
R2967	QRL039J-223	OM R	22kΩ 3W J
R2976	QRL029J-100	OM R	10Ω 2W J
△ R2991	QRZ0057-825	C R	8.2MΩ 1W J

**CAPACITOR**

C2401	QEHR1VM-227Z	E CAP.	220μF 35V M
C2402	QETM1VM-108	E CAP.	1000μF 35V M
C2403	QFLC2AJ-683Z	M CAP.	0.068μF 100V J
C2404	QETN1HM-105Z	E CAP.	1μF 50V M
C2405	QFLC1HJ-472Z	M CAP.	4700pF 50V J
C2406	QCZ0337-180Z	C CAP.	180pF 2KV J
C2407	QFLC1HJ-102Z	M CAP.	1000pF 50V J
C2408	QFV71HJ-334Z	MF CAP.	0.33μF 50V J
C2410	QFV71HJ-334Z	MF CAP.	0.33μF 50V J
C2411	QFLC2AJ-563Z	M CAP.	0.056μF 100V J
C2451	QFV71HJ-104Z	MF CAP.	0.1μF 50V J
C2461	QEZO195-475Z	E CAP.	4.7μF 50V M
C2462	QETN1HM-106Z	E CAP.	10μF 50V M
C2463	QFLC1HJ-153Z	M CAP.	0.015μF 50V J
C2464	QFLC1HJ-333Z	M CAP.	0.033μF 50V J
C2491	QETN1HM-105Z	E CAP.	1μF 50V M
C2492	QETN1HM-106Z	E CAP.	10μF 50V M
C2502	QCB32HK-681Z	C CAP.	680pF 500V K
C2503	QEHR2CM-105Z	E CAP.	1μF 160V M
△ C2521	QFZ0196-202	MPP CAP	2200pF1.5kVH±3%
△ C2522	QFZ0200-113	MPP CAP	0.011μF1.5kVH±3%
△ C2523	QFP32GJ-153	PP CAP.	0.015μF 400V J
C2524	QFN32DK-104	M CAP.	0.1μF 200V K
C2526	QFZ0197-304	MPP CAP	0.3μF 250V J
C2527	QEHR2EM-475Z	E CAP.	4.7μF 250V M
C2529	QFN32DK-393	M CAP.	0.039μF 200V K
C2530	QCB32HK-561Z	C CAP.	560pF 500V K
C2531	QFLC1HJ-103Z	M CAP.	0.01μF 50V J
C2533	QCS32HJ-560Z	C CAP.	56pF 500V J
C2542	QFZ0197-104	MPP CAP	0.1μF 200V J
C2543	QFZ0197-104	MPP CAP	0.1μF 200V J
C2551	QETN2EM-106Z	E CAP.	10μF 250V M
C2552	QCB32HK-152Z	C CAP.	1500pF 500V K
C2553	QEHR1EM-108Z	E CAP.	1000μF 25V M
C2554	QCB32HK-152Z	C CAP.	1500pF 500V K
C2555	QEHR1EM-108Z	E CAP.	1000μF 25V M
C2560	QETM2CM-227	E CAP.	220μF 160V M
C2561	QFLC1HJ-683Z	M CAP.	0.068μF 50V J
C2591	QETN1AM-107Z	E CAP.	100μF 10V M
C2592	QETN1EM-476Z	E CAP.	47μF 25V M
C2593	QETN2AM-106Z	E CAP.	10μF 100V M
C2594	QETN1AM-227Z	E CAP.	220μF 10V M
△ C2901	QFZ9040-473	MF CAP.	0.047μFAC275V M
△ C2904-5	QCZ9054-472	C CAP.	0.047μFAC250V Z

△ Symbol No.	Part No.	Part Name	Description
<b>CAPACITOR</b>			
△ C2906	QCZ9054-472	C CAP.	4700pFAC250V Z
C2907	QEZO199-227	E CAP.	2200μFAC250V M
C2908	QCB32HK-103	C CAP.	0.01μF 500V K
C2909	QCZ0122-391	C CAP.	390pF 2kV K
C2910	QCZ0122-102	C CAP.	1000pF 2kV K
C2912	QCB31HK-471Z	C CAP.	470pF 50V K
C2913	QETN1HM-476Z	E CAP.	47μF 50V M
C2916	QETN1HM-107Z	E CAP.	100μF 50V M
C2918	QCB31HK-681Z	C CAP.	680pF 50V K
C2933-34	QETN1HM-106Z	E CAP.	10μF 50V M
C2935	QETN1EM-227Z	E CAP.	220μF 25V M
C2951	QCZ0122-561	C CAP.	560pF 2kV K
C2952	QEZO203-227	E CAP.	2200μF 160V M
C2953	QCB32HK-391Z	C CAP.	390pF 500V K
C2954	QTM1EM-228	E CAP.	2200μF 16V M
C2955	QCB32HK-391Z	C CAP.	390pF 500V K
C2956	QTM1CM-228	E CAP.	2200μF 16V M
C2958	QCB32HK-391Z	C CAP.	390pF 500V K
C2959	QETM1VM-228	E CAP.	2200μF 35V M
C2960	QCB32HK-221Z	C CAP.	220pF 500V K
C2961	QETM1EM-338	E CAP.	3300μF 25V M
C2962	QCB32HK-221Z	C CAP.	220pF 500V K
C2963	QETM1EM-338	E CAP.	3300μF 25V M
C2964	QFV71HJ-684Z	MF CAP.	0.68μF 50V J
C2968	QCZ0120-104Z	C CAP.	0.1μF 25V Z
C2969	QEHR1CM-477Z	E CAP.	470μF 16V M
C2970	QEHR1CM-107Z	E CAP.	100μF 16V M
C2971	QCZ0120-104Z	C CAP.	0.1μF 25V Z
C2972	QETN1CM-227Z	E CAP.	220μF 16V M
C2973	QETN1EM-476Z	E CAP.	47μF 25V M
C2974	QCZ0120-104Z	C CAP.	0.1μF 25V Z
C2975	QETN1AM-227Z	E CAP.	220μF 10V M
C2976	QETN1EM-476Z	E CAP.	47μF 25V M
C2979	QFV71HJ-104Z	MF CAP.	0.1μF 50V J
△ C2991	QCZ9079-332	C CAP.	3300pFAC250V M
△ C2992	QCZ9079-471	C CAP.	470pFAC250V K
<b>TRANSFORMER</b>			
T2501	CE42034-002	H. DRI VE TRANSF.	
△ T2551	QOH0094-002-12	FBI	(SERVI CE)
T2561	QQR0898-001	DEF. TRANSF.	
△ T2901	QOS0065-001	SWI TCH. TRANSF.	
△ T2921	QQT0303-001	POWER TRANSF.	
<b>COIL</b>			
L2461	QQLZ027-821	CHOKE COIL	
L2521	QQLZ028-501	CHOKE COIL	
L2522	QQR1106-002	LI NEARI TY COIL	
L2561	QQLZ028-472	CHOKE COIL	
L2901-02	QQL402K-100	COIL	10μH K
△ L2903	QQR0659-004	CHOKE COIL	
L2951	QQLZ026-460	HEATER CHOKE	
L2952	QQL26AK-820Z	COIL	82μH K
L2953-54	QQL26AM-5R6Z	CHOKE COIL	
<b>DIODE</b>			
D2401	MTZJ75-T2	ZENER DIODE	
D2402	1N4003-T2	SI. DIODE	
D2451	BYD33D-T3	SI. DIODE	
D2491	BYD33D-T3	SI. DIODE	
D2492	MTZJ22B-T2	ZENER DIODE	
D2493	1SS133-T2	SI. DIODE	
D2494	1SS133-T2	SI. DIODE	
D2521	RH3G-F1	SI. DIODE	
D2522	BYW95B-20	SI. DIODE	
D2523	BYD33G-T3	SI. DIODE	
D2525	MTZJ9. 1B-T2	ZENER DIODE	
D2551	BYD33G-T3	SI. DIODE	
D2553-54	BYW95B-20	SI. DIODE	
D2591	MTZJ15B-T2	ZENER DIODE	
D2592	MTZJ7. 5B-T2	ZENER DIODE	
D2593	BYD33D-T3	SI. DIODE	
D2594	MTZJ7. 5S-T2	ZENER DIODE	
△ D2901	D3SBA60	DIODE BRI DGE	
D2902	BYD33M-T3	SI. DIODE	

△ Symbol No.	Part No.	Part Name	Description
D2904	BYD33D-T3	SI. DIODE	
D2905	BYD33D-T3	SI. DIODE	
D2909	1SS133-T2	SI. DIODE	
D2911	MTZJ15B-T2	ZENER DIODE	
D2913	MTZJ27B-T2	ZENER DIODE	
D2931	1SS133-T2	SI. DIODE	
D2934	MTZJ6. 2B-T2	ZENER DIODE	
D2935-38	1N4003-T2	SI. DIODE	
D2939	1SS133-T2	SI. DIODE	
D2951	RU4B-F1	SI. DIODE	
D2953-54	BYW95B-20	SI. DIODE	
D2955	FMX-G12S	SI. DIODE	
D2956-57	FMB-G16L	SI. DIODE	
D2958	1SR35-400A-T2	SI. DIODE	
D2964	MTZJ33B-T2	ZENER DIODE	
D2981	1SS133-T2	SI. DIODE	
D2982	1SS133-T2	SI. DIODE	
D2983	1SS133-T2	SI. DIODE	
D2985	MTZJ7. 5C-T2	ZENER DIODE	
<b>TRANSISTOR</b>			
Q2402	2SC1740S/QR/-T	SI. TRANSI STOR	
Q2461	2SD1408/OY/-LB	SI. TRANSI STOR	
Q2462-63	2SA933AS/QR/-T	SI. TRANSI STOR	
Q2501	BSN304-T	F. E. T.	
△ Q2521	2SD2553-LB	SI. TRANSI STOR	H. OUT
Q2541-42	DTC124ESA-T	DI GI. TRANSI STOR	
Q2543	1RF620	F. E. T.	
Q2544-45	2SK2459N-F54	F. E. T.	
Q2546	DTC124ESA-T	DI GI. TRANSI STOR	
Q2591	2SA949/Y/Z1-T	SI. TRANSI STOR	
Q2592	DTC124ESA-T	DI GI. TRANSI STOR	
Q2593	2SC1740S/QR/-T	SI. TRANSI STOR	
Q2931-32	2SC1740S/QR/-T	SI. TRANSI STOR	
Q2933	2SC2655/Y/-T	SI. TRANSI STOR	
<b>IC</b>			
IC2401	LA7841	I. C. (MONO-ANA)	
△ IC2901	STR-F6667B/F7	I. C. (HYBRI D)	
IC2951	SE140N	I. C. (HYBRI D)	
IC2952	BA12T	I. C. (MONO-ANA)	
IC2953	BA17809T	I. C. (MONO-ANA)	
IC2954	BA05T	I. C. (MONO-ANA)	
<b>OTHERS</b>			
△ CP2953	1CP-N75-Y	I. C. PROTECT	
△ CP2954	QMFZ034-4R0Z-J1	FUSE	4A
△ CP2955	QMFZ034-4R0Z-J1	FUSE	4A
△ CP2956	1CP-N10-Y	I. C. PROTECT	
△ CP2957	1CP-N5-Y	I. C. PROTECT	
K2401	CE41433-001Z	BEADS CORE	
K2503-04	QQR0582-001Z	BEADS CORE	
K2901	QQR0679-001	FERRI TE BEADS	
K2904	QQR0679-001	FERRI TE BEADS	
K2951	QQR0872-001Y	FERRI TE BEADS	
K2952	CE41433-001Z	BEADS CORE	
K2953	CE41433-001Z	BEADS CORE	
K2954	CE41433-001Z	BEADS CORE	
PC2541	PC123F2	I. C. (PH. COUPLER)	
PC2542	PC123F2	I. C. (PH. COUPLER)	
△ PC2901	TLP721F (D4-GR)	I. C. (PH. COUPLER)	
△ TH2901	CEK002-003	W. P. THERMI STOR	
△ RV2931	OSK0099-001	RELAY	

## CRT SOCKET PW BOARD ASS'Y (SJK-3504A-H3)

△ Symbol No.	Part No.	Part Name	Description
<b>RESI STOR</b>			
R3101-03	NRSA02J-101X	MG R	100Ω 1/10W J
R3107	NRSA02J-392X	MG R	3.9kΩ 1/10W J
R3108	NRSA02J-392X	MG R	3.9kΩ 1/10W J
R3109	NRSA02J-392X	MG R	3.9kΩ 1/10W J
R3110-12	NRSA02J-221X	MG R	220Ω 1/10W J
R3113-15	NRSA02J-330X	MG R	33Ω 1/10W J
R3116-18	QRL029J-153	OM R	15kΩ 2W J
R3119-21	QRL029J-183	OM R	18kΩ 2W J
R3125-27	QRZ0107-102Z	C R	C
R3130	QRG01GJ-101	OM R	100Ω 1W J
R3135	QRZ0107-474Z	C R	470kΩ 1/2W J
R3136	QRE121J-474Y	C R	470kΩ 1/2W J
R3137	QRZ0107-102Z	C R	1kΩ 1/2W J
R3138	QRE121J-105Y	C R	1MΩ 1/2W J
R3151	NRSA02J-102X	MG R	1kΩ 1/10W J
R3152	NRSA02J-472X	MG R	4.7kΩ 1/10W J
R3154	NRSA02J-0ROX	MG R	0.0Ω 1/10W J
R3303	NRSA02J-101X	MG R	100Ω 1/10W J
R3312	NRSA02J-153X	MG R	15kΩ 1/10W J
R3313	NRSA02J-152X	MG R	1.5kΩ 1/10W J
R3314	NRSA02J-221X	MG R	220Ω 1/10W J
R3315	NRSA02J-101X	MG R	100Ω 1/10W J
R3316	NRSA02J-222X	MG R	2.2kΩ 1/10W J
R3317	NRSA02J-470X	MG R	47Ω 1/10W J
△ R3318	QRJ146J-100X	C R	10Ω 1/4W J
R3319	NRSA02J-470X	MG R	47Ω 1/10W J
R3320	NRSA02J-122X	MG R	1.2kΩ 1/10W J
R3321	NRSA02J-390X	MG R	39Ω 1/10W J
R3322	QRE121J-2R7Y	C R	2.7Ω 1/2W J
R3323-24	QRE121J-563Y	C R	56kΩ 1/2W J
R3325	NRSA02J-122X	MG R	1.2kΩ 1/10W J
R3326	QRE121J-2R7Y	C R	2.7Ω 1/2W J
R3327	NRSA02J-390X	MG R	39Ω 1/10W J
R3328	NRSA02J-121X	MG R	120Ω 1/10W J
R3329	QRL029J-391	OM R	390Ω 2W J
<b>CAPACI TOR</b>			
C3101-03	NDC21HJ-471X	C CAP.	470pF 50V J
C3104	QETN1CM-107Z	E CAP.	100μF 16V M
C3105	QETN1EM-476Z	E CAP.	47μF 25V M
C3107	QETN1HM-106Z	E CAP.	10μF 50V M
C3113	QCZ0131-22Z	C CAP.	2200pF 2kV K
C3114	QETN2EM-336	E CAP.	33μF 250V M
C3115	QETN2EM-106	E CAP.	10μF 250V M
C3116	NDC21HJ-471X	C CAP.	470pF 50V J
C3304	NCB21HK-103X	C CAP.	0.01μF 50V K
C3305	QETN1HM-335Z	E CAP.	3.3μF 50V M
C3306	QETN1CM-107Z	E CAP.	100μF 16V M
C3307	NDC21HJ-5R0X	C CAP.	5.0pF 50V J
C3308	QETN2CM-106Z	E CAP.	10μF 160V M
C3309	QCB32HK-472Z	C CAP.	4700pF 500V K
C3310	QETN2CM-106Z	E CAP.	10μF 160V M
C3311	NCB21HK-222X	C CAP.	2200pF 50V K
C3312	QCB32HK-472Z	C CAP.	4700pF 500V K
C3314	QETN1CM-107Z	E CAP.	100μF 16V M
C3315	QCS32HJ-680Z	C CAP.	68pF 500V J
C3316	QETN1CM-107Z	E CAP.	100μF 16V M
C3317	QETN1AM-337Z	E CAP.	330μF 10V M
C3320	QCB31HK-152Z	C CAP.	1500pF 50V K
<b>COI L</b>			
L3301	QQL244J-391Z	PEAKING COI L	
<b>DI ODE</b>			
D3151	MA111-X	SI. DI ODE	
D3152	MA3082/L/-X	ZENER DI ODE	
D3153-55	MA111-X	SI. DI ODE	
D3156	MA3047/H/-X	ZENER DI ODE	

△ Symbol No.	Part No.	Part Name	Description
<b>DI ODE</b>			
D3163	MA3150/M/-X	ZENER DI ODE	
D3164	1SR35-400A-T2	SI. DI ODE	
D3302	RH15-T3	SI. DI ODE	
D3303	RH15-T3	SI. DI ODE	
<b>TRANSI STOR</b>			
Q3101-03	2SC1740S/QR/-T	SI. TRANSI STOR	
Q3104-06	2SC4544-LB	SI. TRANSI STOR	
Q3151	2SA1037AK/QR/-X	SI. TRANSI STOR	
Q3152	2SC4682-T	SI. TRANSI STOR	
Q3304-05	2SC1740S/QR/-T	SI. TRANSI STOR	
Q3306	2SA933AS/QR/-T	SI. TRANSI STOR	
Q3307	2SA1837	SI. TRANSI STOR	
Q3308	2SC4793	SI. TRANSI STOR	
<b>OTHERS</b>			
△ FR3330	QRZ9021-561	F R	560Ω 1W J
K3101	CE41433-001Z	BEADS CORE	
K3301-04	CE41492-001Z	CHOKE COI L	
△ SK3001	CE42670-001	C. R. T. SOCKET	

## FRONT CONTROL PW BOARD ASS'Y (SJK-8508A-H3)

△ Symbol No.	Part No.	Part Name	Description
<b>RESI STOR</b>			
R8301	NRSA02J-750X	MG R	75Ω 1/10W J
R8801-02	NRSA02J-561X	MG R	560Ω 1/10W J
R8804	NRSA02J-102X	MG R	1kΩ 1/10W J
R8805	NRSA02J-102X	MG R	1kΩ 1/10W J
R8806	NRSA02J-102X	MG R	1kΩ 1/10W J
R8807-09	NRSA02J-103X	MG R	10kΩ 1/10W J
R8810-11	QRE121J-101Y	C R	100Ω 1/2W J
R8812	NRSA02J-102X	MG R	1kΩ 1/10W J
R8813	NRSA02J-102X	MG R	1kΩ 1/10W J
R8814	NRSA02J-103X	MG R	10kΩ 1/10W J
R8815-16	NRSA02J-471X	MG R	470Ω 1/10W J
R8851	NRSA02J-682X	MG R	6.8kΩ 1/10W J
R8861	NRSA02J-562X	MG R	5.6kΩ 1/10W J
R8863	NRSA02J-472X	MG R	4.7kΩ 1/10W J
R8864	NRSA02J-222X	MG R	2.2kΩ 1/10W J
<b>CAPACI TOR</b>			
C8301-02	NCB21HK-472X	C CAP.	4700pF 50V K
C8303	NRSA02J-0ROX	MG R	0.0Ω 1/10W J
C8801-02	NCB21HK-104X	CHI P CAP.	0.1μF 50V K
C8803-04	QETN1HM-106Z	E CAP.	10μF 50V M
C8805	NCB21HK-103X	C CAP.	0.01μF 50V K
C8851	NCB21EK-104X	C CAP.	0.1μF 25V K
C8852	QETN1CM-107Z	E CAP.	100μF 16V M
C8861	QETN1HM-106Z	E CAP.	10μF 50V M
△ C8901	QFZ9040-474	MF. CAP	0.47μFAC275V M
<b>COI L</b>			
L8301	QQL211K-270Y	COI L	27μH K
L8302	QQR0716-001Z	LEAD CORE	
L8303	QQL211K-270Y	COI L	27μH K
L8801-02	QQL211K-5R6Y	COI L	5.6μH K
L8803	QQR0716-001Z	LEAD CORE	

Symbol No.	Part No.	Part Name	Description
<b>DI ODE</b>			
D8801	SPR-39MWF	L. E. D.	
D8802	SLR-342YY-T16	L. E. D. (YLW)	
D8803	SLR-342DU-T16	L. E. D. (ORG)	
D8804	SLR-342MG-T16	L. E. D. (GRN)	
D8805	MA111-X	SI. DI ODE	
D8806-07	MA3150/M/-X	ZENER DI ODE	
D8851	MA3068/M/-X	ZENER DI ODE	
D8861	MA111-X	SI. DI ODE	
D8862	P1241-04	C. D. S.	

Symbol No.	Part No.	Part Name	Description
<b>TRANSI STOR</b>			
Q8801-02	DTA124EKA-X	DI G. TRANSI STOR	
Q8803	2SA1037AK/OR/-X	SI. TRANSI STOR	
Q8804	DTC124EKA-X	DI G. TRANSI STOR	
Q8805	2SA1037AK/OR/-X	SI. TRANSI STOR	
Q8861	2SA1037AK/OR/-X	SI. TRANSI STOR	

Symbol No.	Part No.	Part Name	Description
<b>IC</b>			
IC8851	GP1U281Q	I FR DETECT UNIT	

Symbol No.	Part No.	Part Name	Description
<b>OTHERS</b>			
	LC30596-001B-C	L. E. D. HOLDER	
	CM35921-005-H	CDS HOLDER	
	CEMG002-001Z	FUSE CLIP	
Δ F8901	QMF51D2-3R15J1	FUSE	3.15A
J8301	QND0073-001	S JACK	
J8302	QNN0279-003	PIN JACK	
J8303	QNN0279-002	PIN JACK	
J8304	QNN0279-001	PIN JACK	
J8801	QMS3004-C01	HEADPHONE JACK	
Δ LF8901	QQR1095-001	LINE FILTER	
Δ LF8902	QQR1095-001	LINE FILTER	
S8801-03	QSW0619-003Z	PUSH SWITCH	
Δ S8901	QSW0824-001	PUSH SWITCH	

**DOLBY PW BOARD ASS'Y (SJK0D501A-H3)**

Refer to PARTS LIST in page 14 for this P.W. board.

**AV SEL. PW BOARD ASS'Y (SJK0S907A-H3)**

Symbol No.	Part No.	Part Name	Description
<b>RESI STOR</b>			
R0101-08	NRSA02J-750X	MG R	75Ω 1/10W J
R0110	NRSA02J-823X	MG R	82kΩ 1/10W J
R0112	NRSA02J-823X	MG R	82kΩ 1/10W J
R0113	NRSA02J-750X	MG R	75Ω 1/10W J
R0114	NRSA02J-473X	MG R	47kΩ 1/10W J
R0115	NRSA02J-223X	MG R	22kΩ 1/10W J
R0116	NRSA02J-223X	MG R	22kΩ 1/10W J
R0117-18	NRSA02J-823X	MG R	82kΩ 1/10W J
R0119-20	NRSA02J-391X	MG R	390Ω 1/10W J
R0123	NRSA02J-104X	MG R	100kΩ 1/10W J
R0124-25	NRSA02J-101X	MG R	100Ω 1/10W J
R0126	NRSA02J-333X	MG R	33kΩ 1/10W J
R0127	NRSA02J-101X	MG R	100Ω 1/10W J
R0128	NRSA02J-103X	MG R	10kΩ 1/10W J
R0129	NRSA02J-823X	MG R	82kΩ 1/10W J
R0130	NRSA02J-473X	MG R	47kΩ 1/10W J
R0131	NRSA02J-273X	MG R	27kΩ 1/10W J
R0132	NRSA02J-153X	MG R	15kΩ 1/10W J
R0133	NRSA02J-222X	MG R	2.2kΩ 1/10W J
R0134	NRSA02J-333X	MG R	33kΩ 1/10W J
R0135	NRSA02J-222X	MG R	2.2kΩ 1/10W J
R0136-37	NRSA02J-333X	MG R	33kΩ 1/10W J
R0138	NRSA02J-473X	MG R	47kΩ 1/10W J
R0139	NRSA02J-823X	MG R	82kΩ 1/10W J
R0140	NRSA02J-103X	MG R	10kΩ 1/10W J
R0141	NRSA02J-153X	MG R	15kΩ 1/10W J
R0142	NRSA02J-223X	MG R	22kΩ 1/10W J
R0143	NRSA02J-473X	MG R	47kΩ 1/10W J
R0144	NRSA02J-273X	MG R	27kΩ 1/10W J
R0146	NRSA02J-391X	MG R	390Ω 1/10W J
R0148	NRSA02J-391X	MG R	390Ω 1/10W J
R0151	NRSA02J-104X	MG R	100kΩ 1/10W J
R0152	NRSA02J-222X	MG R	2.2kΩ 1/10W J
R0153	NRSA02J-333X	MG R	33kΩ 1/10W J
R0154	NRSA02J-222X	MG R	2.2kΩ 1/10W J
R0155	NRSA02J-333X	MG R	33kΩ 1/10W J
R0156-69	NRSA02J-101X	MG R	100Ω 1/10W J
R0170	NRSA02J-333X	MG R	33kΩ 1/10W J
R0171	NRSA02J-222X	MG R	2.2kΩ 1/10W J
R0172	NRSA02J-473X	MG R	47kΩ 1/10W J
R0173	NRSA02J-823X	MG R	82kΩ 1/10W J
R0174	NRSA02J-103X	MG R	10kΩ 1/10W J
R0175	NRSA02J-153X	MG R	15kΩ 1/10W J
R0176	NRSA02J-473X	MG R	47kΩ 1/10W J
R0177	NRSA02J-273X	MG R	27kΩ 1/10W J
R0180-83	NRSA02J-101X	MG R	100Ω 1/10W J
R0184	NRSA02J-333X	MG R	33kΩ 1/10W J
R0185	NRSA02J-222X	MG R	2.2kΩ 1/10W J
R0186	NRSA02J-333X	MG R	33kΩ 1/10W J
R0188	NRSA02J-101X	MG R	100Ω 1/10W J
R0189-90	NRSA02J-221X	MG R	220Ω 1/10W J
R0191-92	NRSA02J-562X	MG R	5.6kΩ 1/10W J
R0193	NRSA02J-102X	MG R	1kΩ 1/10W J
R0194	NRSA02J-102X	MG R	1kΩ 1/10W J
R0195	ORG01GJ-101	OM R	100Ω 1W J
R0197	QRK126J-181X	C R	180Ω 1/2W J
R0198	NRSA02J-750X	MG R	75Ω 1/10W J
R0199	NRSA02J-101X	MG R	100Ω 1/10W J
R0202	QRK126J-151X	C R	150Ω 1/2W J
R0203-05	NRSA02J-750X	MG R	75Ω 1/10W J
R0207	NRSA02J-222X	MG R	2.2kΩ 1/10W J
R0208	NRSA02J-333X	MG R	33kΩ 1/10W J
R0209	NRSA02J-222X	MG R	2.2kΩ 1/10W J
R0210	NRSA02J-333X	MG R	33kΩ 1/10W J
R0211-12	NRSA02J-103X	MG R	10kΩ 1/10W J
R0301	NRSA02J-103X	MG R	10kΩ 1/10W J
R0302	NRSA02J-562X	MG R	5.6kΩ 1/10W J
R0303-04	NRSA02J-222X	MG R	2.2kΩ 1/10W J
R0305	NRSA02J-103X	MG R	10kΩ 1/10W J
R0309	NRSA02J-562X	MG R	5.6kΩ 1/10W J
R0310	NRSA02J-392X	MG R	3.9kΩ 1/10W J
R0313	NRSA02J-101X	MG R	100Ω 1/10W J

△ Symbol No.	Part No.	Part Name	Description
<b>RESISTOR</b>			
R0314	NRSA02J-473X	MG R	47kΩ 1/10W J
R0315	NRSA02J-102X	MG R	1kΩ 1/10W J
R0316	NRSA02J-122X	MG R	1.2kΩ 1/10W J
R0317	NRSA02J-273X	MG R	27kΩ 1/10W J
R0318	NRSA02J-102X	MG R	1kΩ 1/10W J
R0319	NRSA02J-102X	MG R	1kΩ 1/10W J
R0320	NRSA02J-473X	MG R	47kΩ 1/10W J
R0321	NRSA02J-101X	MG R	100Ω 1/10W J
R0322	NRSA02J-273X	MG R	27kΩ 1/10W J
R0323	NRSA02J-122X	MG R	1.2kΩ 1/10W J
R0324	NRSA02J-102X	MG R	1kΩ 1/10W J
R0325	NRSA02J-682X	MG R	6.8kΩ 1/10W J
R0603	NRSA02J-102X	MG R	1kΩ 1/10W J
R0606	ORG01GJ-181	OM R	180Ω 1W J
R0607	NRSA02J-123X	MG R	12kΩ 1/10W J
R0608	NRSA02J-181X	MG R	180Ω 1/10W J
R0609	NRSA02J-123X	MG R	12kΩ 1/10W J
R0610	NRSA02J-561X	MG R	560Ω 1/10W J
R0628	NRSA02J-OROX	MG R	0.0Ω 1/10W J
R0629-30	NRSA02J-101X	MG R	100Ω 1/10W J

**CAPACITOR**

C0101	NCB21HK-152X	C CAP.	1500pF 50V K
C0102	QETN1CM-477Z	E CAP.	470μF 16V M
C0103-05	QETN1HM-106Z	E CAP.	10μF 50V M
C0106-09	NCB21HK-152X	C CAP.	1500pF 50V K
C0110	QETN1CM-477Z	E CAP.	470μF 16V M
C0111-15	NCB21HK-152X	C CAP.	1500pF 50V K
C0116-17	QETN1HM-106Z	E CAP.	10μF 50V M
C0118	NCB21HK-102X	C CAP.	1000pF 50V K
C0119	QETN1HM-105Z	E CAP.	1μF 50V M
C0120	QETN1HM-106Z	E CAP.	10μF 50V M
C0121	QETN1HM-105Z	E CAP.	1μF 50V M
C0122	NCB21HK-103X	C CAP.	0.01μF 50V K
C0123	NCB21HK-102X	C CAP.	1000pF 50V K
C0124-25	QETN1HM-106Z	E CAP.	10μF 50V M
C0126	QETN1HM-105Z	E CAP.	1μF 50V M
C0127	QETN1HM-106Z	E CAP.	10μF 50V M
C0128	QETN1HM-105Z	E CAP.	1μF 50V M
C0129	QETN1HM-106Z	E CAP.	10μF 50V M
C0130	QETN1HM-105Z	E CAP.	1μF 50V M
C0131	NCB21HK-102X	C CAP.	1000pF 50V K
C0132	QETN1HM-105Z	E CAP.	1μF 50V M
C0133	NCB21HK-103X	C CAP.	0.01μF 50V K
C0136	QETN1HM-106Z	E CAP.	10μF 50V M
C0137	QENC1EM-106Z	BP E CAP.	10μF 25V M
C0139	QENC1EM-106Z	BP E CAP.	10μF 25V M
C0140	QETN1CM-107Z	E CAP.	100μF 16V M
C0141	NCB21HK-103X	C CAP.	0.01μF 50V K
C0142	NCF21CZ-105X	C CAP.	1μF 16V Z
C0143	QENC1EM-106Z	BP E CAP.	10μF 25V M
C0144	NCF21CZ-105X	C CAP.	1μF 16V Z
C0145-46	QETN1CM-107Z	E CAP.	100μF 16V M
C0147	QETN1CM-477Z	E CAP.	470μF 16V M
C0149	NCB21HK-103X	C CAP.	0.01μF 50V K
C0150-51	QETN1HM-106Z	E CAP.	10μF 50V M
C0152-53	QETN1HM-105Z	E CAP.	1μF 50V M
C0154-55	NDC21HJ-680X	C CAP.	68pF 50V J
C0156	NCB21HK-103X	C CAP.	0.01μF 50V K
C0157-58	NDC21HJ-680X	C CAP.	68pF 50V J
C0159	NDC21HJ-561X	C CAP.	560pF 50V J
C0301	NDC21HJ-271X	C CAP.	270pF 50V J
C0306-07	NCB21EK-104X	C CAP.	0.1μF 25V K
C0308	NCB21HK-103X	C CAP.	0.01μF 50V K
C0310-11	QETN1HM-106Z	E CAP.	10μF 50V M
C0312	NCB21HK-103X	C CAP.	0.01μF 50V K
C0313	NCB21EK-104X	C CAP.	0.1μF 25V K
C0610	NDC21HJ-821X	C CAP.	820pF 50V J
C0611-12	NDC21HJ-470X	C CAP.	47pF 50V J
C0614	NDC21HJ-180X	C CAP.	18pF 50V J
C0616	QETN1CM-107Z	E CAP.	100μF 16V M
C0617	NCB21EK-104X	C CAP.	0.1μF 25V K

△ Symbol No.	Part No.	Part Name	Description
<b>CAPACITOR</b>			
C0618	QETN1HM-106Z	E CAP.	10μF 50V M
C0619	NCB21EK-104X	C CAP.	0.1μF 25V K
C0620	QETN1HM-106Z	E CAP.	10μF 50V M
C0623	NCB21EK-104X	C CAP.	0.1μF 25V K
C0624	QETN1HM-106Z	E CAP.	10μF 50V M
C0629	QETN1HM-106Z	E CAP.	10μF 50V M
C0630-31	NCB21HK-102X	C CAP.	1000pF 50V K
C0632	NCB21EK-104X	C CAP.	0.1μF 25V K
C0633	QETN1HM-106Z	E CAP.	10μF 50V M
C0634-35	NCB21HK-103X	C CAP.	0.01μF 50V K
C0636	NDC21HJ-2R0X	C CAP.	2.0pF 50V J
C0642	NDC21HJ-2R0X	C CAP.	2.0pF 50V J
C0645	NCB21HK-103X	C CAP.	0.01μF 50V K
C0646	NCB21EK-104X	C CAP.	0.1μF 25V K
C0647	QETN1CM-107Z	E CAP.	100μF 16V M
C0648	NCB21EK-104X	C CAP.	0.1μF 25V K

**COIL**

L0114	QOR0716-001Z	LEAD CORE	
L0301	QQL244K-221Z	PEAKING COIL	
L0601	QQL244K-220Z	PEAKING COIL	
L0602	QQL244K-180Z	COIL	18μH K
L0605	QQL244K-4R7Z	COIL	4.7μH K
LC0601-02	CE4248Z-103Y	EMI FILTER	

**DIODE**

D0101-13	MA3120/M/-X	ZENER DIODE
D0601	RD8. 2E/B2/-T2	ZENER DIODE

**TRANSISTOR**

Q0101	DTC323TK-X	DI G. TRANSISTOR
Q0102	2SA1037AK/OR/-X	SI. TRANSISTOR
Q0103	DTC323TK-X	DI G. TRANSISTOR
Q0104-07	2SC2412K/OR/-X	SI. TRANSISTOR
Q0108	2SA1037AK/OR/-X	SI. TRANSISTOR
Q0109-10	DTC323TK-X	DI G. TRANSISTOR
Q0111-12	2SC2412K/OR/-X	SI. TRANSISTOR
Q0116	2SA933AS/OR/-T	SI. TRANSISTOR
Q0118	2SC1740S/OR/-T	SI. TRANSISTOR
Q0119-20	2SC2412K/OR/-X	SI. TRANSISTOR
Q0301	2SA1037AK/OR/-X	SI. TRANSISTOR
Q0302-03	DTC124EKA-X	DI G. TRANSISTOR
Q0304-05	2SA1037AK/OR/-X	SI. TRANSISTOR
Q0306	2SC2412K/OR/-X	SI. TRANSISTOR
Q0307	2SA1037AK/OR/-X	SI. TRANSISTOR
Q0308	2SC2412K/OR/-X	SI. TRANSISTOR
Q0601	2SC2412K/OR/-X	SI. TRANSISTOR

**IC**

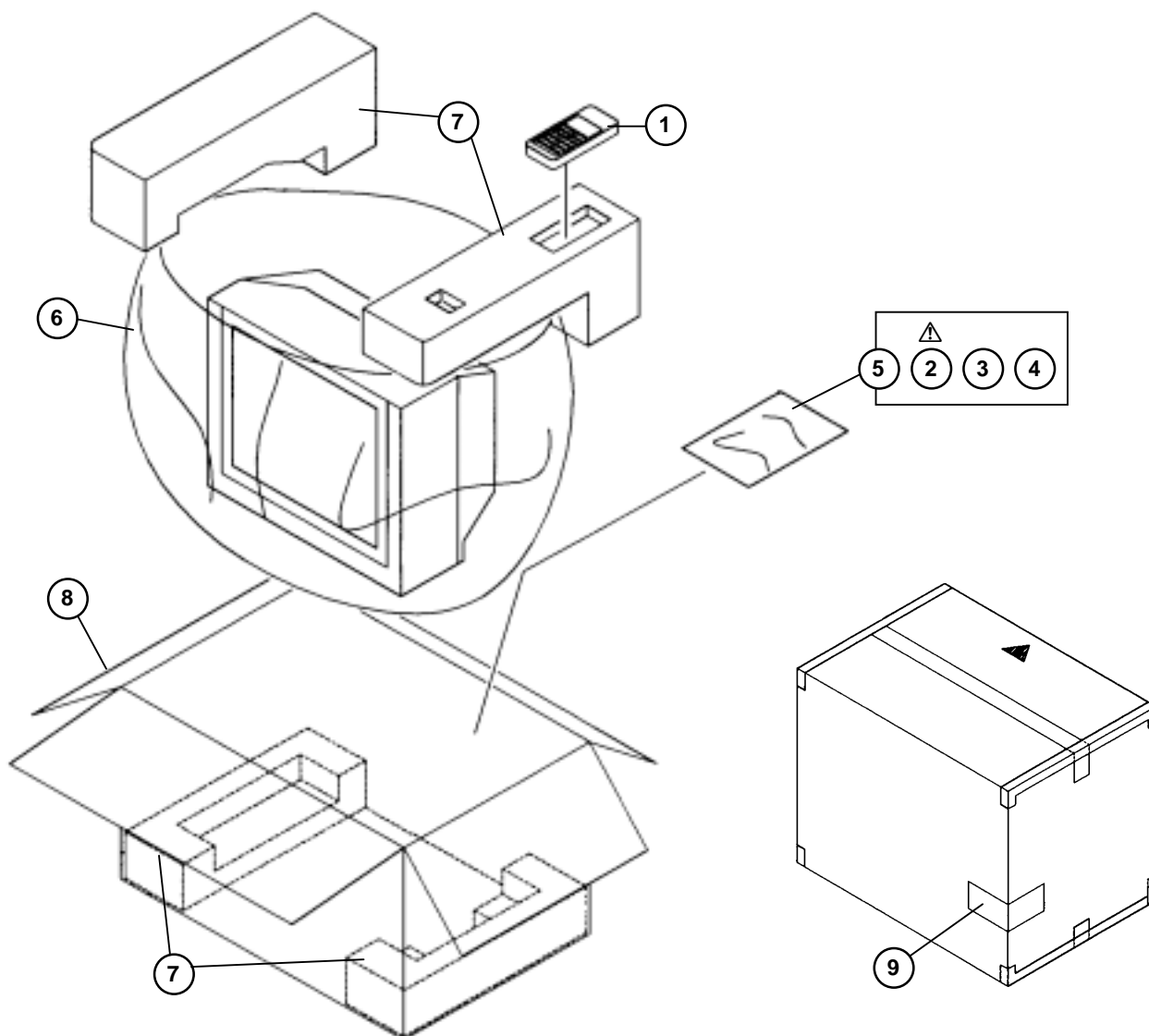
IC0101	CXA2089Q-X	I. C. (MONO-ANA)
IC0302	TDA9181T/N1-X	I. C. (MONO-ANA)
IC0603	MSP3415DQGB3GHX	I. C. (MONO-ANA)

**OTHERS**

J0001	QNZ0465-001	PIN CONNECTOR
J0002	QNZ0463-001	PIN CONNECTOR
K0101-04	CE42681-001Y	BEADS CORE
K0301	CE41433-001Z	BEADS CORE
K0601	CE41433-001Z	BEADS CORE
X0601	CE42546-001Z	CRYSTAL

# AV-32WFR1EKS/A

## PACKING



## PACKING PARTS LIST

△ Ref. No.	Part No.	Part Name	Description
1	RM-C52-1C	REMOCON UNIT	
△ 2	LCT0623-001B-U	INST BOOK	
3	BT-54013-1E	WARRANTY CARD	
4	AEM3148-001-E	REG CARD	
5	AEM3021-001-E	POLY BAG	
6	AEM1047-A02-E	POLY BAG	
7	LC10384-002C-U	CUSHION ASSY	4pcs in 1set
8	AEM1002-070-E	PACKING CASE	
9	AEM1039-090-E	EURO LABEL	

# JVC

VICTOR COMPANY OF JAPAN, LIMITED

HOME AV NETWORK BUSINESS UNIT 12, 3-chome, Moriya-cho, Kanawa-ku, Yokohama, Kanagawa-prefecture, 221-8528, Japan

28WFR1EKS AHU #004 28WFR1EKA-HU #004  
32WFR1EKS AHU #999



Printed in Japan  
VP 0110  
DP2051